



Butterfly valves

Butterfly valves



Applications

- Butterfly valves, no matter manually or automatically, can be used in most fluid product applications in the food-processing, pharmaceutical and chemical industries.



Operating Principles

- The butterfly valves can be operated automatically through actuator or manually with the handle.
- The handle blocks the valve in the "open" or "closed" position, certainly there are the other position available.
- The actuator push piston of axial movement into 90 degree so that it controls butterfly valve.



Technical specifications

- Max.pressure: 10 bar (DN-25/100)
8 bar (DN-125/150)
- Min.pressure: 0.2 bar p.abs
- Operating temperature: -10°C to +120°C (EPDM)





Design and features

- Compact and robust design
- Available in sizes D N25/1" to D N150/6"
- The size of multi-position handle up to DN100/4"
- The size of pull handle up to DN125/150/6"
- Manual handle, pneumatic actuator and electric actuator can be exchangeable with each other
- Butterfly valves conform to PED97/23 EC
- Low pressure losses
- The valve body can be changeable with any kind of connection



Pneumatic aluminum butterfly valve



Materials

- Butterfly plate: AISI316L/304(forged)
- Valve body: AISI316L/304(forged)
- Washer and gasket: EPDM which conforms to FDA 177.2600
- Handle: AISI304/PP
- Surface finishing: Ra=0.8



Intelligent pneumatic control butterfly valve



Options

- The material of gasket contains NBR, VMQ or FPM, which all confirm to standard of FDA 177.2600
- Connection: weld, clamp, thread, single weld singlethread, flange
- Handle: two-position handle, three-position handle, four-position pull rod handle, multi-position plastic handle and multi-position stainless steel handle, DIN, SMS, RJT, ISO, IDF, 3A
- Actuator: pneumatic stainless steel actuator, pneumatic aluminum actuator, electric actuator
- Control: position sensor, C-TOP controller, C-TOP controller(AS-I)



Operating torque (N.m.)

操作扭矩[N.M]	25-1"	40-1 1/2"	50-2	2 1/2"	65	3"	80	100-4"	125	150
OPERATING TORQUE [N.M]	8	10	14	15	18	18	20	35	55	70

Deflect under pressure of 10Kgrs/cm²



Specification of electric actuator

- ⊙ Protection degree: IP-67
- ⊙ Environment temperature: -25°C-60°C (other temperature can be custom-made)
- ⊙ Installment angle: any angle
- ⊙ Material of body: aluminum alloy diecasting
- ⊙ Features optional: torque than the protection, heated dehumidifier, over-heat protection
- ⊙ Hand operation: by detachable hexagon
- ⊙ Spacing: Electrically: completely close and open limit switch
 Manually: link stopper
- ⊙ Input signal: 4 – 20mA.DC, 1–5V.DC, 0–10V.DC (other signals can be chose before leaving factory)
- ⊙ Output signal: 4 – 20mA.DC, 0–10V.DC (other signals can be chose before leaving factory)



Options

- ⊙ Voltage: AC.24V 110V 220V 380V DC.24V Frequency: 50HZ,60HZ
- ⊙ Type of control: on-off indicator light, passive contact point, opening position, intelligent control
- ⊙ Switching time(S): 9,10,13,15,20,25,30,50,60,100

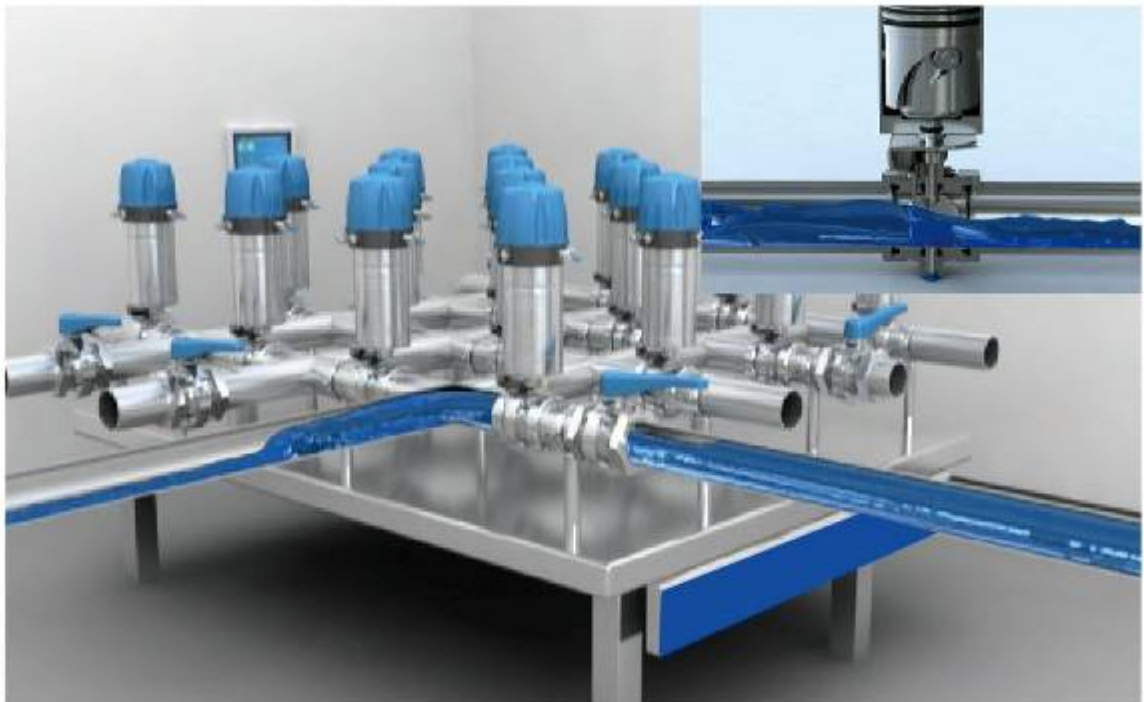
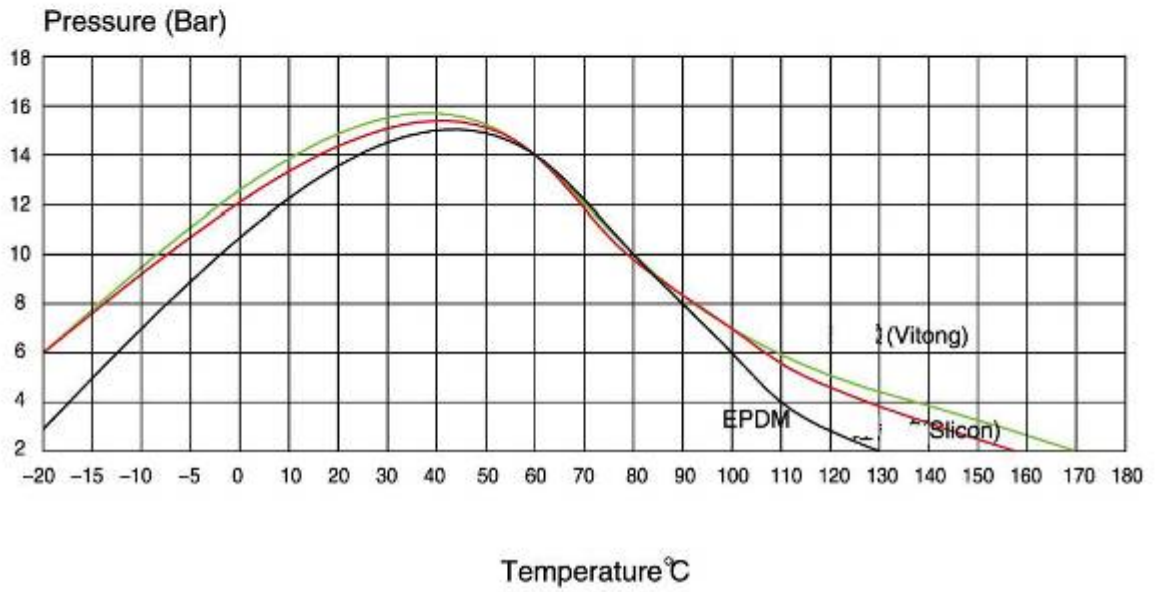


Technical parameter

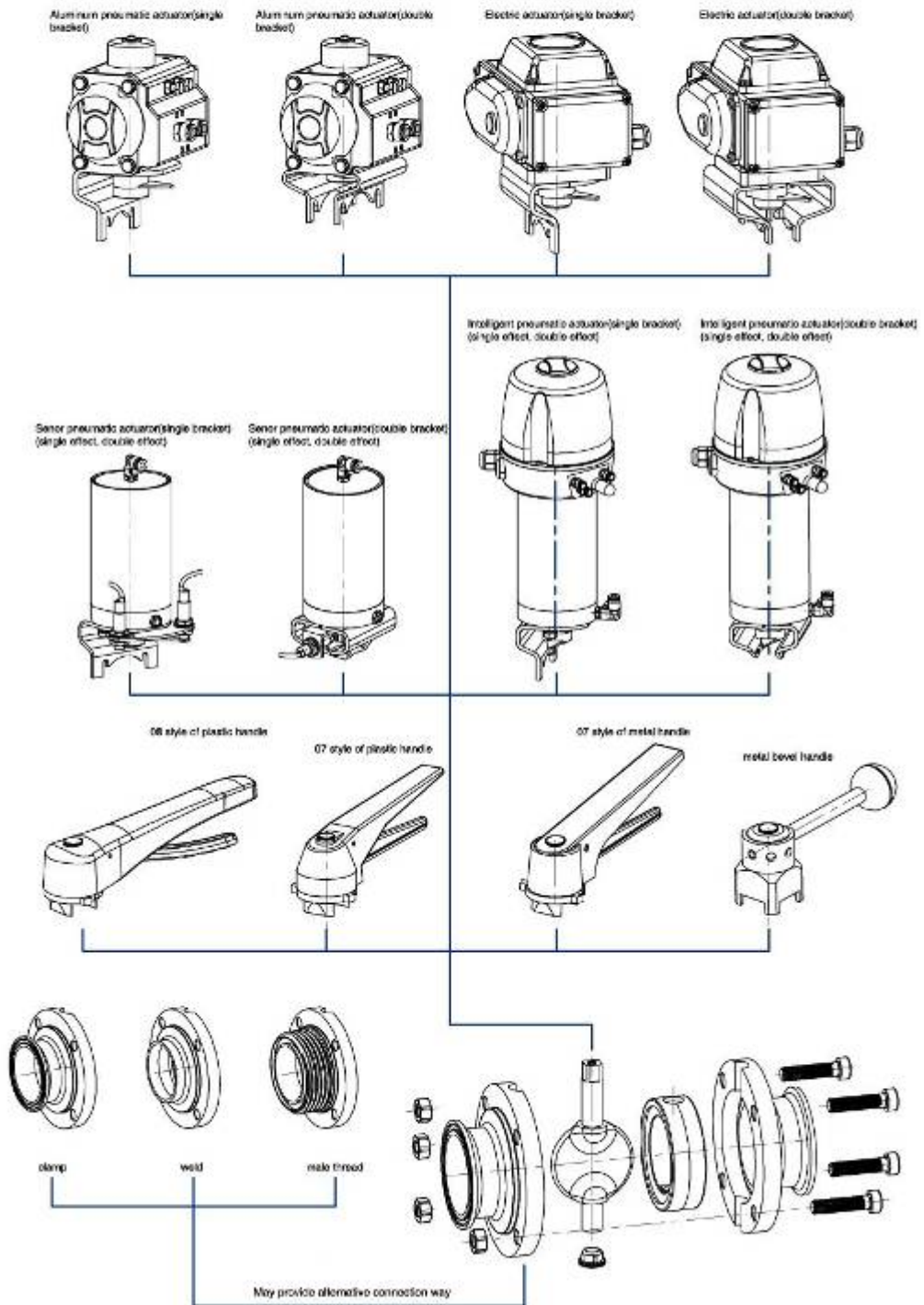
- The structure of valves: three-side control valve, two-side control valve, single-side control valve
- The material of gasket contains NBR, VMO or FPM, which all confirm to standard of FDA 177.2600
- Connection: weld, clamp, thread, single weld singlethread, flange
- Handle: two-position handle, three-position handle, four-position pull rod handle, multi-position plastic handle and multi-position stainless steel handle, DIN, SMS, RJT, ISO, IDF, 3A
- Actuator: pneumatic stainless steel actuator, pneumatic aluminum actuator, electric actuator
- Control: position sensor, C-TOP controller, C-TOP controller(AS-I)



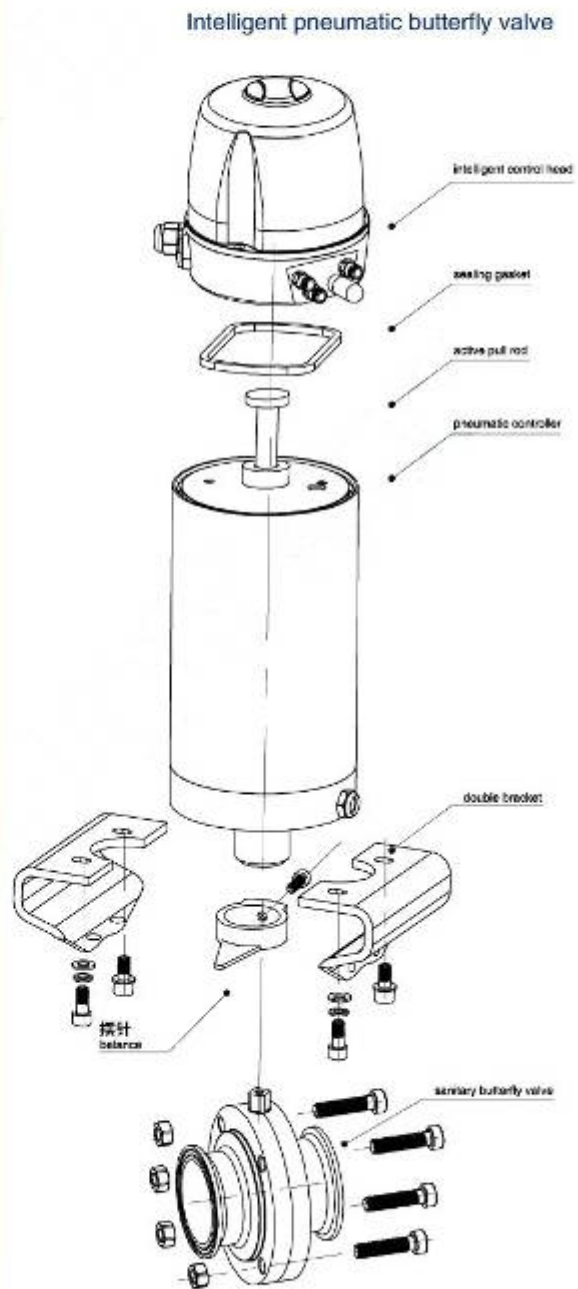
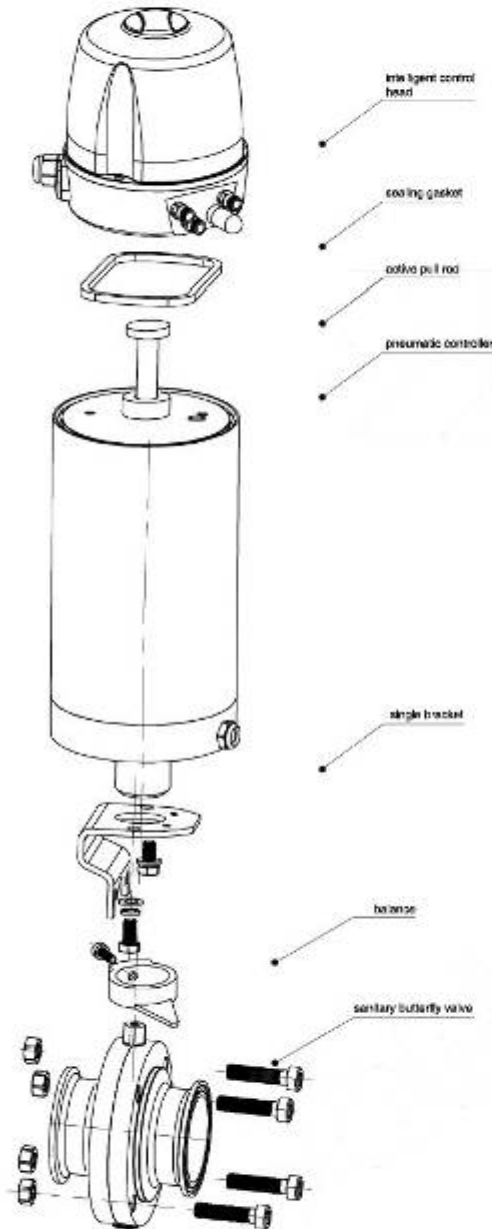
Butterfly valvesCurve



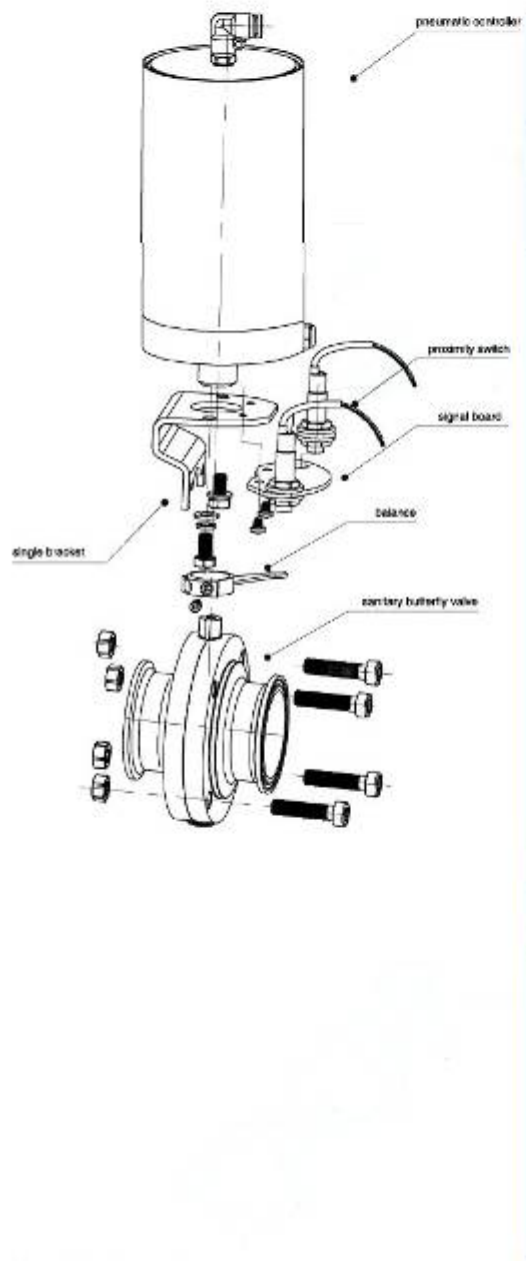
Different ways of drive and styles of handle



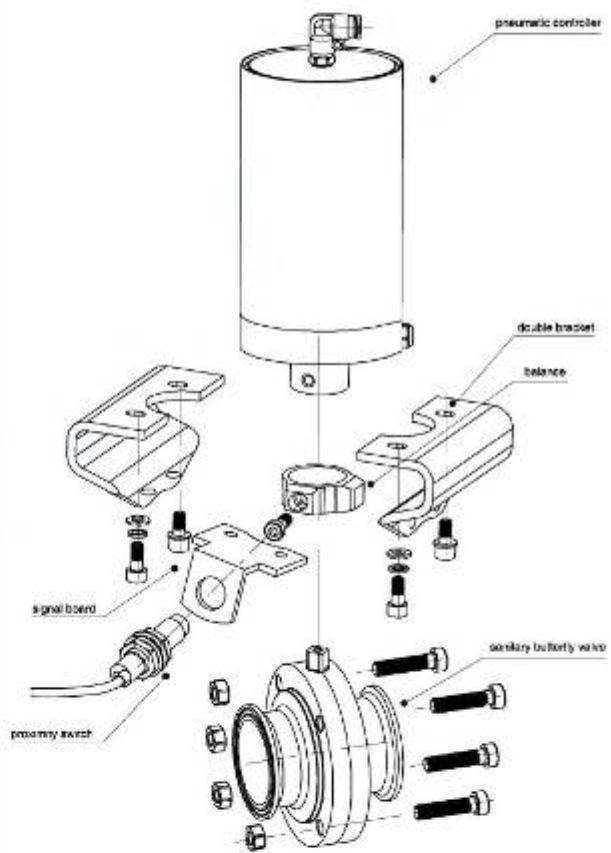
Intelligent pneumatic butterfly valve

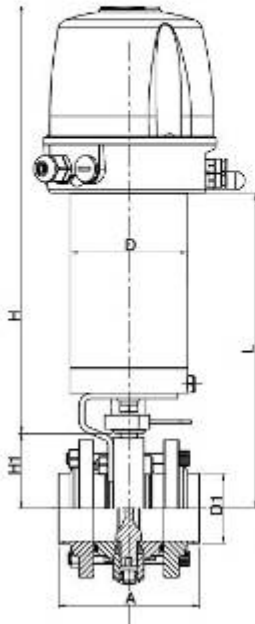


Single bracket pneumatic butterfly valve with sensor



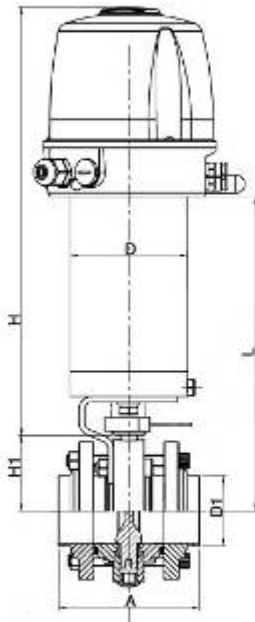
Double bracket pneumatic butterfly valve with sensor





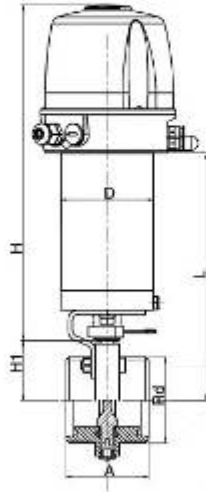
No. 12002701 pneumatic three-piece(flange) butterfly valve(DIN)

SIZE	D	A	H	H1	L	D1	
						1	2
DN10	86.3	100	297.5	42	214.5	12	13
DN15	86.3	100	297.5	42	214.5	18	19
DN20	86.3	100	297.5	42	214.5	22	23
DN25	86.3	100	297.5	42	214.5	28	29
DN32	86.3	100	297.5	42	214.5	34	35
DN40	86.3	100	297.5	48	220.5	40	41
DN50	86.3	104	297.5	54	226.5	52	53
DN65	86.3	112	297.5	65	237.5	70	-
DN80	86.3	120	297.5	70	242.5	85	-
DN100	86.3	128	297.5	80	252.5	104	-
DN125	114	160	380	117.5	362	129	-
DN150	114	180	380	137.5	382	154	-
DN200	133	180	420	172.5	467.5	204	-



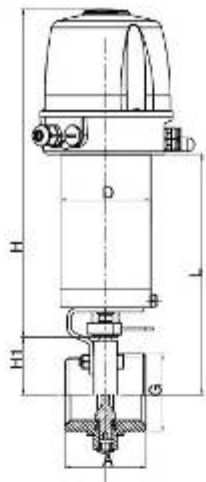
No. 12002801 pneumatic three-piece(flange) butterfly valve(3A, SMS, ISO, DS)

SIZE	D	A	H	H1	L	D1
1/2"	86.3	100	297.5	42	214.5	12.7
3/4"	86.3	100	297.5	42	214.5	19
1"	86.3	100	297.5	42	214.5	25.4
1 _{1/2} "	86.3	100	297.5	42	214.5	31.8
1 _{1/2} "	86.3	100	297.5	46	218.5	38.1
45	86.3	100	297.5	48	220.5	45
2"	86.3	104	297.5	54	226.5	50.8
57	86.3	104	297.5	54	226.5	57
2 _{1/2} "	86.3	112	297.5	60.5	233	63.5
3"	86.3	112	297.5	67	239.5	76.2
3.5"	86.3	120	297.5	72.5	245	89
4"	86.3	128	297.5	80	252.5	101.6
108	86.3	128	297.5	82.5	255	108
114	86.3	128	297.5	82.5	255	114.3
5"	114	160	380	117.5	362	127
133	114	160	380	117.5	362	133
6"	114	180	380	137.5	382	152.4
159	114	180	380	137.5	382	159
168.3	114	180	380	137.5	382	168.3
6"	133	180	420	172.5	467.5	203.2
219	133	180	420	172.5	467.5	219



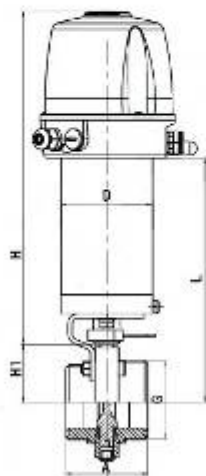
No.12000101 pneumatic threaded butterfly valve(DIN)

SIZE	D	A	H	H1	L	Rd
DN10	86.3	66	297.5	42	214.5	RD28 × 1/8
DN15	86.3	66	297.5	42	214.5	RD34 × 1/8
DN20	86.3	66	297.5	42	214.5	RD44 × 1/8
DN25	86.3	66	297.5	42	214.5	RD52 × 1/8
DN32	86.3	70	297.5	46	218.5	RD58 × 1/8
DN40	86.3	74	297.5	48	220.5	RD65 × 1/8
DN50	86.3	76	297.5	56	228.5	RD78 × 1/8
DN65	86.3	80	297.5	65	237.5	RD95 × 1/8
DN80	86.3	84	297.5	72.5	245	RD110 × 1/4
DN100	86.3	104	297.5	82.5	255	RD130 × 1/4
DN125	114	130	380	117.5	362	RD160 × 1/4
DN150	114	150	380	137.5	382	RD190 × 1/4



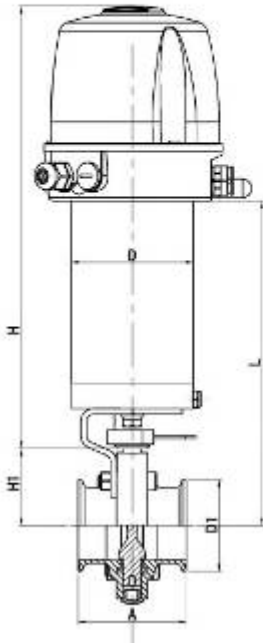
No.12000501 pneumatic threaded butterfly valve(3A)

SIZE	D	A	H	H1	L	G
1"	86.3	66	297.5	42	214.5	37.1 × 1/8 Acme
1 1/4"	86.3	70	297.5	42	214.5	45.9 × 1/8 Acme
1 1/2"	86.3	70	297.5	45	217.5	50.6 × 1/8 Acme
2"	86.3	76	297.5	54	226.5	64.1 × 1/8 Acme
2 1/2"	86.3	80	297.5	60.5	218.5	77.6 × 1/8 Acme
3"	86.3	84	297.5	67	223.5	91.1 × 1/8 Acme
4"	86.3	104	297.5	80	242.5	119.2 × 1/8 Acme



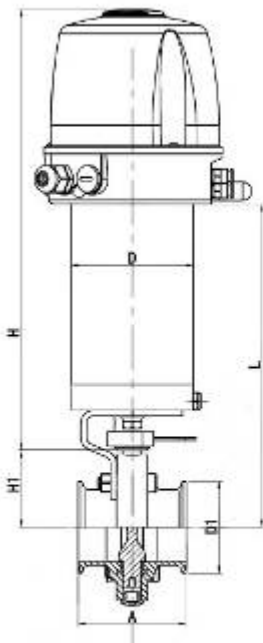
pneumatic threaded butterfly valve(SMS)

SIZE	D	A	H	H1	L	Rd
Φ19	86.3	66	297.5	42	214.5	RD36 × 1/8
Φ25	86.3	66	297.5	42	214.5	RD40 × 1/8
Φ32	86.3	66	297.5	42	214.5	RD48 × 1/8
Φ38	86.3	70	297.5	46	218.5	RD60 × 1/8
Φ51	86.3	76	297.5	54	218.5	RD70 × 1/8
Φ63	86.3	80	297.5	60.5	226.5	RD85 × 1/8
Φ76	86.3	84	297.5	67	233	RD98 × 1/8
Φ89	86.3	86	297.5	72.5	238.5	RD105 × 1/8
Φ 102小	86.3	104	297.5	80	246	RD125 × 1/4
Φ 102大	86.3	104	297.5	82.5	248.5	RD132 × 1/8



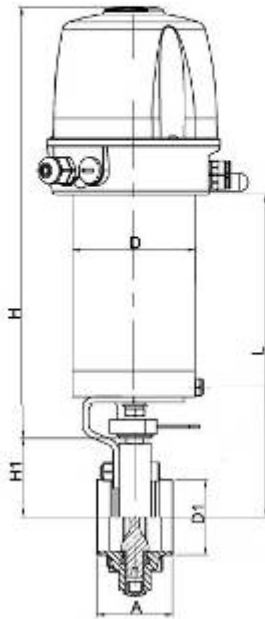
No.12002301 pneumatic clamped butterfly valve(DIN)

SIZE	D	A	H	H1	L	D1
DN10	86.3	66	297.5	42	214.5	34
DN15	86.3	66	297.5	42	214.5	34
DN20	86.3	66	297.5	42	214.5	34
DN25	86.3	66	297.5	42	214.5	50.5
DN32	86.3	66	297.5	46	218.5	50.5
DN40	86.3	70	297.5	48	220.5	50.5
DN50	86.3	76	297.5	56	228.5	64
DN65	86.3	80	297.5	65	237.5	91
DN80	86.3	84	297.5	72.5	245	106
DN100	86.3	104	297.5	82.5	255	119
DN125	114	122	380	117.5	362	144.5
DN125	114	122	380	117.5	362	155
DN150	114	146	380	137.5	382	167
DN150	114	146	380	137.5	382	183
DN200	133	166	420	172.5	467.5	217.4
DN200	133	166	420	172.5	467.5	233.5



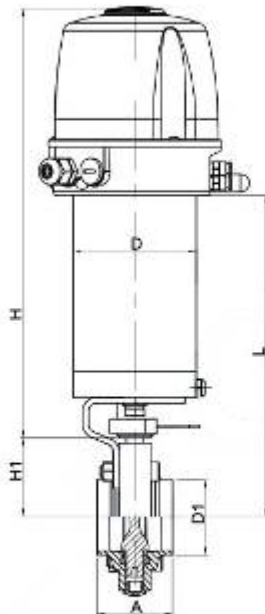
No.12002401 pneumatic clamped butterfly valve(SA, SMS, ISO, DS)

SIZE	D	A	H	H1	L	D1
1/2"	86.3	66	297.5	42	214.5	25.4
3/4"	86.3	66	297.5	42	214.5	25.4
1"	86.3	66	297.5	42	214.5	50.5
1 1/4"	86.3	66	297.5	42	214.5	50.5
1 1/2"	86.3	70	297.5	46	218.5	50.5
45	86.3	74	297.5	48	220.5	64
48"	86.3	76	297.5	50.5	223	64
2"	86.3	76	297.5	54	236.5	64
57	86.3	76	297.5	56	238.5	77.5
2 1/2"	86.3	80	297.5	60.5	242	77.5
3"	86.3	84	297.5	67	248.5	91
3.5"	86.3	86	297.5	72.5	254	106
4"	86.3	104	297.5	80	261.5	119
108	86.3	106	297.5	82.5	264	119
114	86.3	106	297.5	82.5	264	130
5"	114	122	380	117.5	362	144.5
133	114	122	380	117.5	362	155
6"	114	146	380	137.5	382	167
159	114	146	380	137.5	382	183
168.3	114	146	380	137.5	382	183
8"	133	166.8	420	172.5	467.5	217.4
219	133	166.8	420	172.5	467.5	233.5



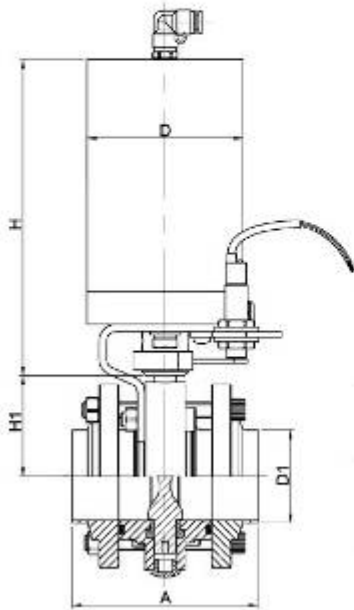
No. 12001901 pneumatic welded butterfly valve(DIN)

SIZE	D	A	H	H1	L	D1	
						1	2
DN10	86.3	50	297.5	42	214.5	12	13
DN15	86.3	50	297.5	42	214.5	18	19
DN20	86.3	50	297.5	42	214.5	22	23
DN25	86.3	50	297.5	42	214.5	28	29
DN32	86.3	50	297.5	46	218.5	34	35
DN40	86.3	50	297.5	48	220.5	40	41
DN50	86.3	52	297.5	56	228.5	52	53
DN65	86.3	56	297.5	65	237.5	70	-
DN80	86.3	60	297.5	72.5	245	85	-
DN100	86.3	64	297.5	82.5	255	104	-
DN125	114	80	380	117.5	362	129	-
DN150	114	90	380	137.5	382	154	-
DN200	133	90	420	172.5	467.5	204	-



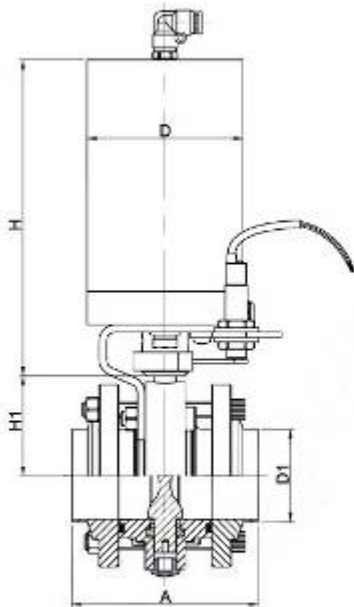
No. 12002001 pneumatic welded butterfly valve(3A, SMS, ISO, DS)

SIZE	D	A	H	H1	L	D1
1/2"	86.3	50	297.5	42	214.5	12.7
3/4"	86.3	50	297.5	42	214.5	19
1"	86.3	50	297.5	42	214.5	25.4
1 1/4"	86.3	50	297.5	42	214.5	31.8
1 1/2"	86.3	50	297.5	46	218.5	38.1
45	86.3	50	297.5	48	220.5	45
48	86.3	52	297.5	50.5	223	48
2"	86.3	52	297.5	54	236.5	50.8
57	86.3	52	297.5	56	238.5	57
2 1/2"	86.3	56	297.5	60.5	242	63.5
3"	86.3	56	297.5	67	248.5	76.2
3.5"	86.3	60	297.5	72.5	254	89
4"小	86.3	64	297.5	80	261.5	101.6
4"大	86.3	64	297.5	82.5	264	101.6
108	86.3	64	297.5	82.5	264	108
114	86.3	64	297.5	82.5	264	114.3
5"	114	80	380	117.5	362	127
133	114	80	380	117.5	362	133
6"	114	90	380	137.5	382	152.4
159	114	90	380	137.5	382	159
168.3	114	90	380	137.5	382	168.3
8"	133	90	420	172.5	467.5	203.2
219	133	90	420	172.5	467.5	219



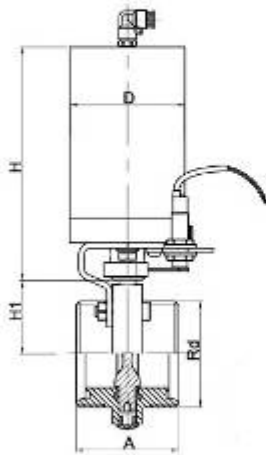
No. 12002702 pneumatic three-piece(flange) butterfly valve(DIN)

SIZE	D	A	H	H1	D1	
					1	2
DN10	86.3	100	172.5	42	12	13
DN15	86.3	100	172.5	42	18	19
DN20	86.3	100	172.5	42	22	23
DN25	86.3	100	172.5	42	28	29
DN32	86.3	100	172.5	42	34	35
DN40	86.3	100	172.5	48	40	41
DN50	86.3	104	172.5	54	52	53
DN65	86.3	112	172.5	65	70	-
DN80	86.3	120	172.5	70	85	-
DN100	86.3	128	172.5	80	104	-
DN125	133	160	295	117.5	129	-
DN150	133	180	295	137.5	154	-
DN200	133	180	295	172.5	204	-



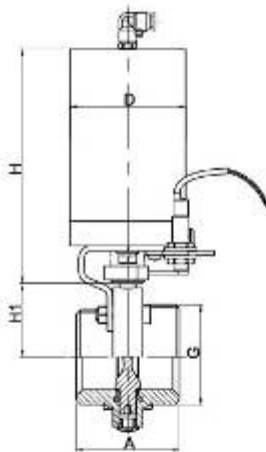
No. 12002802 pneumatic three-piece(flange) butterfly valve(3A, SMS, ISO, DS)

SIZE	D	A	H	H1	D1
1/2"	86.3	100	172.5	42	12.7
3/4"	86.3	100	172.5	42	19
1"	86.3	100	172.5	42	25.4
1 1/8"	86.3	100	172.5	42	31.8
1 1/4"	86.3	100	172.5	46	38.1
45	86.3	100	172.5	48	45
2"	86.3	104	172.5	54	50.8
57	86.3	104	172.5	54	57
2 1/2"	86.3	112	172.5	60.5	63.5
3"	86.3	112	172.5	67	76.2
3.5"	86.3	120	172.5	72.5	89
4"	86.3	128	172.5	80	101.6
108	86.3	128	172.5	82.5	108
114	86.3	128	172.5	82.5	114.3
5"	133	160	295	117.5	127
133	133	160	295	117.5	133
6"	133	180	295	137.5	152.4
159	133	180	295	137.5	159
168.3	133	180	295	137.5	168.3
8"	133	180	295	172.5	203.2
219	133	180	295	172.5	219



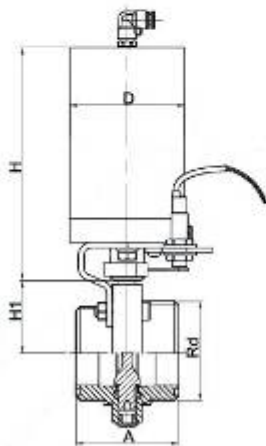
No.12000102 pneumatic threaded butterfly valve(DIN)

SIZE	D	A	H	H1	Rd
DN10	86.3	66	172.5	42	RD28 × 1/8
DN15	86.3	66	172.5	42	RD34 × 1/8
DN20	86.3	66	172.5	42	RD44 × 1/6
DN25	86.3	66	172.5	42	RD52 × 1/6
DN32	86.3	70	172.5	46	RD58 × 1/6
DN40	86.3	74	172.5	48	RD65 × 1/6
DN50	86.3	76	172.5	56	RD78 × 1/6
DN65	86.3	80	172.5	65	RD95 × 1/6
DN80	86.3	84	172.5	72.5	RD110 × 1/4
DN100	86.3	104	172.5	82.5	RD130 × 1/4
DN125	133	130	295	117.5	RD160 × 1/4
DN150	133	150	295	137.5	RD190 × 1/4



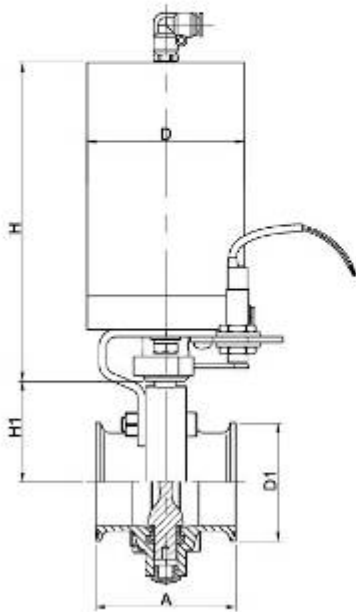
No.12000502 pneumatic threaded butterfly valve(3A)

SIZE	D	A	H	H1	G
1"	86.3	66	172.5	42	37.1 × 1/8 Acme
1 1/4"	86.3	70	172.5	42	45.9 × 1/8 Acme
1 1/2"	86.3	70	172.5	45	50.6 × 1/8 Acme
2"	86.3	76	172.5	54	64.1 × 1/8 Acme
2 1/2"	86.3	80	172.5	60.5	77.6 × 1/8 Acme
3"	86.3	84	172.5	67	91.1 × 1/8 Acme
4"	86.3	104	172.5	80	119.2 × 1/8 Acme



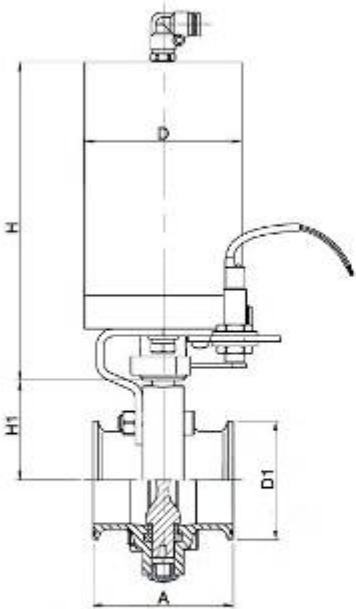
No.12000602 pneumatic threaded butterfly valve(SMS)

SIZE	D	A	H	H1	Rd
Φ 19	86.3	66	172.5	42	RD36 × 1/8
Φ 25	86.3	66	172.5	42	RD40 × 1/6
Φ 32	86.3	66	172.5	42	RD48 × 1/6
Φ 38	86.3	70	172.5	46	RD60 × 1/6
Φ 51	86.3	76	172.5	54	RD70 × 1/6
Φ 63	86.3	80	172.5	60.5	RD85 × 1/6
Φ 76	86.3	84	172.5	67	RD98 × 1/6
Φ 89	86.3	86	172.5	72.5	RD106 × 1/6
Φ 102小	86.3	104	172.5	80	RD125 × 1/4
Φ 102大	86.3	104	172.5	82.5	RD132 × 1/6



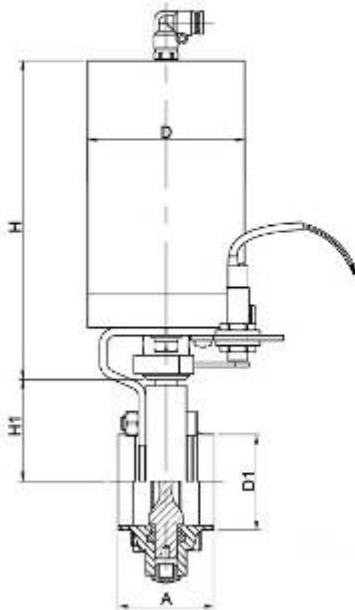
No. 12002302 pneumatic clamped butterfly valve(DIN)

SIZE	D	A	H	H1	D1
DN10	86.3	66	172.5	42	34
DN15	86.3	66	172.5	42	34
DN20	86.3	66	172.5	42	34
DN25	86.3	66	172.5	42	50.5
DN32	86.3	66	172.5	46	50.5
DN40	86.3	70	172.5	48	50.5
DN50	86.3	76	172.5	56	64
DN65	86.3	80	172.5	65	91
DN80	86.3	84	172.5	72.5	106
DN100	86.3	104	172.5	82.5	119
DN125	133	122	295	117.5	144.5
DN150	133	146	295	137.5	167
DN200	133	166	295	172.5	217.4



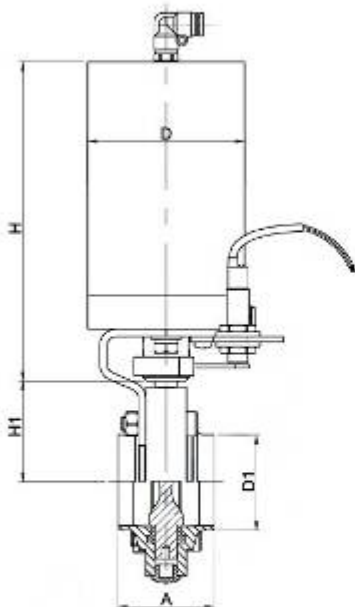
No. 12002402 pneumatic clamped butterfly valve(3A, SMS, ISO, DS)

SIZE	D	A	H	H1	D1
1/2"	86.3	66	172.5	42	25.4
3/4"	86.3	66	172.5	42	25.4
1"	86.3	66	172.5	42	50.5
1 1/4"	86.3	66	172.5	42	50.5
1 1/2"	86.3	70	172.5	46	50.5
45	86.3	74	172.5	48	64
48	86.3	76	172.5	50.5	64
2"	86.3	76	172.5	54	64
57	86.3	76	172.5	56	77.5
2 1/2"	86.3	80	172.5	60.5	77.5
3"	86.3	84	172.5	67	91
3.5"	86.3	86	172.5	72.5	106
4"	86.3	104	172.5	80	119
108	86.3	108	172.5	82.5	119
114	86.3	106	172.5	82.5	130
5"	133	122	295	117.5	144.5
133	133	122	295	117.5	155
6"	133	146	295	137.5	167
159	133	146	295	137.5	183
168.3	133	146	295	137.5	183
8"	133	166.8	295	172.5	217.4
219	133	166.8	295	172.5	233.5



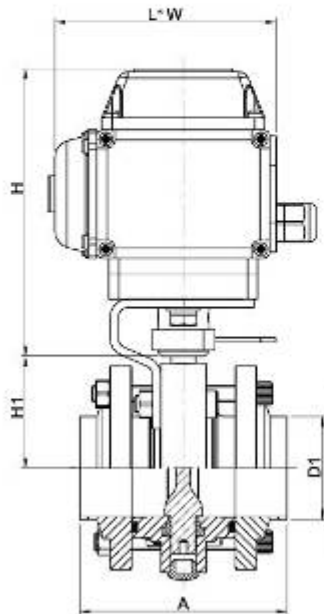
No. 12001902 pneumatic welded butterfly valve(DIN)

SIZE	D	A	H	H1	D1	
					1	2
DN10	86.3	50	172.5	42	12	13
DN15	86.3	50	172.5	42	18	19
DN20	86.3	50	172.5	42	22	23
DN25	86.3	50	172.5	42	28	29
DN32	86.3	50	172.5	46	34	35
DN40	86.3	50	172.5	48	40	41
DN50	86.3	52	172.5	56	52	53
DN65	86.3	56	172.5	65	70	-
DN80	86.3	60	172.5	72.5	85	-
DN100	86.3	64	172.5	82.5	104	-
DN125	133	80	295	117.5	129	-
DN150	133	90	295	137.5	154	-
DN200	133	90	295	172.5	204	-



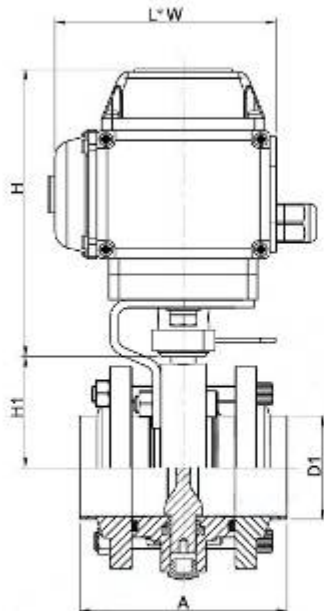
No. 12002002 pneumatic welded butterfly valve(3A, SMS, ISO, DS)

SIZE	D	A	H	H1	D1
1/2"	86.3	50	172.5	42	12.7
3/4"	86.3	50	172.5	42	19
1"	86.3	50	172.5	42	25.4
1 _{1/2} "	86.3	50	172.5	42	31.8
1 _{1/2} "	86.3	50	172.5	46	38.1
45	86.3	50	172.5	48	45
48	86.3	52	172.5	50.5	48
2'	86.3	52	172.5	54	50.8
57	86.3	52	172.5	56	57
2 _{1/2} "	86.3	56	172.5	60.5	63.5
3'	86.3	56	172.5	67	76.2
3.5"	86.3	60	172.5	72.5	89
4'小	86.3	64	172.5	80	101.6
4'大	86.3	64	172.5	82.5	101.6
108	86.3	64	172.5	82.5	108
114	86.3	64	172.5	82.5	114.3
5'	133	80	295	117.5	127
133	133	80	295	117.5	133
6'	133	90	295	137.5	152.4
159	133	90	295	137.5	159
168.3	133	90	295	137.5	168.3
8'	133	90	295	172.5	203.2
219	133	90	295	172.5	219



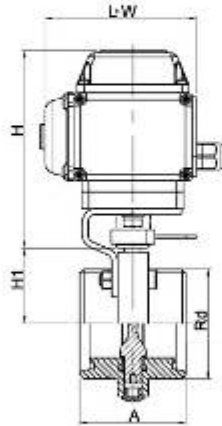
No. 12002703 electric three-piece(flange) butterfly valve(DIN)

SIZE	A	H	H1	D1		L*W
				1	2	
DN10	100	141	42	12	13	162*115
DN15	100	141	42	18	19	162*115
DN20	100	141	42	22	23	162*115
DN25	100	141	42	28	29	162*115
DN32	100	141	42	34	35	162*115
DN40	100	141	48	40	41	162*115
DN50	104	141	54	52	53	162*115
DN65	112	141	65	70	-	162*115
DN80	120	141	70	85	-	162*115
DN100	128	141	80	104	-	162*115
DN125	160	153	117.5	129	-	208*122
DN150	180	153	137.5	154	-	208*122
DN200	180	153	172.5	204	-	208*122



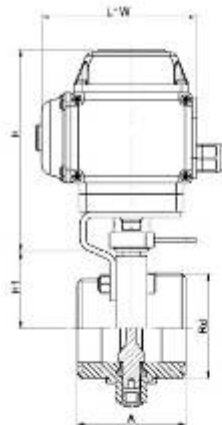
No. 12002803 electric three-piece(flange) butterfly valve(3A, SMS, ISO, DS)

SIZE	A	H	H1	D1	L*W
1/2"	100	141	42	12.7	162*115
3/4"	100	141	42	19	162*115
1"	100	141	42	25.4	162*115
1 1/8"	100	141	42	31.8	162*115
1 1/4"	100	141	46	38.1	162*115
45	100	141	48	45	162*115
2"	104	141	54	50.8	162*115
57	104	141	54	57	162*115
2 1/2"	112	141	60.5	63.5	162*115
3"	112	141	67	76.2	162*115
3.5"	120	141	72.5	89	162*115
4"	128	141	80	101.6	162*115
108	128	153	82.5	108	208*122
114	128	153	82.5	114.3	208*122
5"	160	153	117.5	127	208*122
133	160	153	117.5	133	208*122
6"	180	153	137.5	152.4	208*122
159	180	153	137.5	159	208*122
168.3	180	153	137.5	168.3	208*122
8"	180	153	172.5	203.2	208*122
219	180	153	172.5	219	208*122



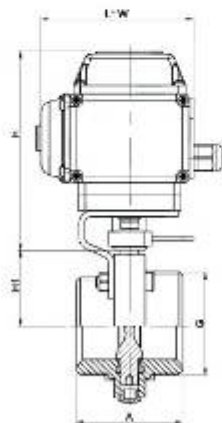
No.12000103 electric threaded butterfly valve(DIN)

SIZE	A	H	H1	Rd	L*W
DN10	66	141	42	RD28 × 1/8	162*115
DN15	66	141	42	RD34 × 1/8	162*115
DN20	66	141	42	RD44 × 1/8	162*115
DN25	66	141	42	RD52 × 1/8	162*115
DN32	70	141	46	RD58 × 1/8	162*115
DN40	74	141	48	RD65 × 1/8	162*115
DN50	76	141	56	RD78 × 1/8	162*115
DN65	80	141	65	RD95 × 1/8	162*115
DN80	84	141	72.5	RD110 × 1/4	162*115
DN100	104	141	82.5	RD130 × 1/4	162*115
DN125	130	153	117.5	RD160 × 1/4	208*122
DN150	150	153	137.5	RD190 × 1/4	208*122



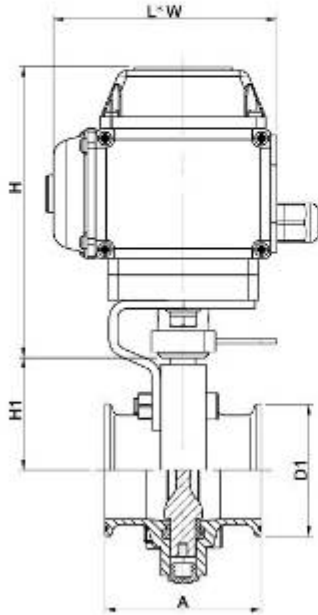
No.12000603 electric threaded butterfly valve(SMS)

SIZE	A	H	H1	Rd	L*W
φ19	66	141	42	RD96 × 1/8	162*115
φ25	66	141	42	RD40 × 1/8	162*115
φ32	66	141	42	RD48 × 1/8	162*115
φ38	70	141	46	RD60 × 1/8	162*115
φ51	76	141	54	RD70 × 1/8	162*115
φ63	80	141	60.5	RD85 × 1/8	162*115
φ76	84	141	67	RD98 × 1/8	162*115
φ89	86	141	72.5	RD105 × 1/8	162*115
φ102小	104	141	80	RD125 × 1/4	162*115
φ102大	104	141	82.5	RD132 × 1/8	162*115



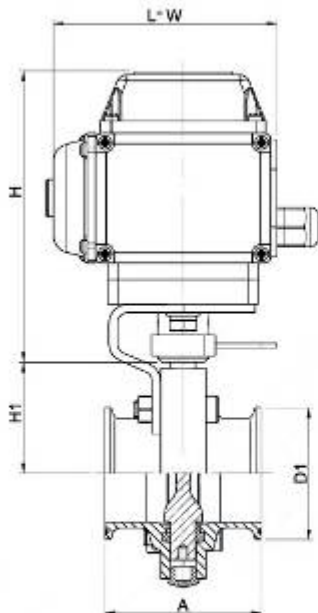
No.12000503 electric threaded butterfly valve(3A)

SIZE	A	H	H1	G	L*W
1"	66	141	42	37.1 × 1/8 Acme	162*115
1 1/4"	70	141	42	45.9 × 1/8 Acme	162*115
1 1/2"	70	141	45	50.6 × 1/8 Acme	162*115
2"	76	141	54	64.1 × 1/8 Acme	162*115
2 1/2"	80	141	60.5	77.6 × 1/8 Acme	162*115
3"	84	141	67	91.1 × 1/8 Acme	162*115
4"	104	141	80	119.2 × 1/8 Acme	162*115



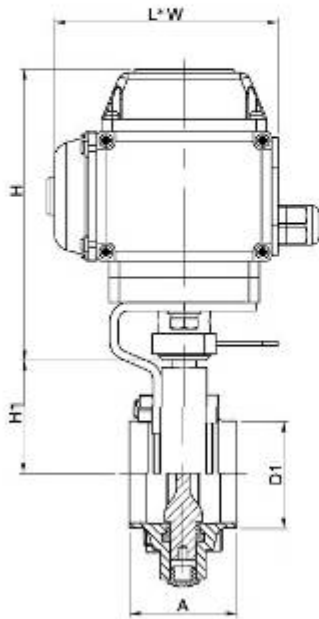
No. 12002303 electric clamped butterfly valve(DIN)

SIZE	A	H	H1	D1	L' W
DN10	66	141	42	34	162*115
DN15	66	141	42	34	162*115
DN20	66	141	42	34	162*115
DN25	66	141	42	50.5	162*115
DN32	66	141	46	50.5	162*115
DN40	70	141	48	50.5	162*115
DN50	76	141	56	64	162*115
DN65	80	141	65	91	162*115
DN80	84	141	72.5	106	162*115
DN100	104	141	82.5	119	162*115
DN125	122	153	117.5	144.5	206*122
DN125	122	153	117.5	155	206*122
DN150	146	153	137.5	167	206*122
DN150	146	153	137.5	183	206*122
DN200	166	153	172.5	217.4	206*122
DN200	166	153	172.5	233.5	206*122



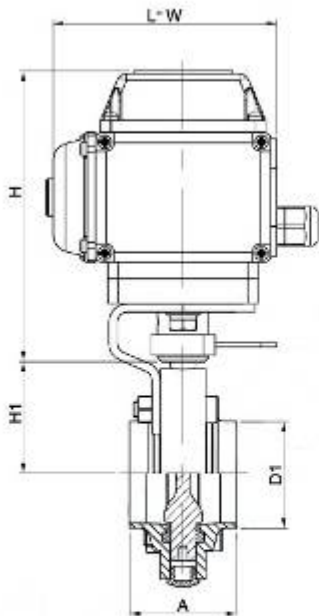
No. 12002403 electric clamped butterfly valve(3A, SMS, ISO, DS)

SIZE	A	H	H1	D1	L' W
1/2"	66	141	42	25.4	162*115
3/4"	66	141	42	25.4	162*115
1"	66	141	42	50.5	162*115
1 1/4"	66	141	42	50.5	162*115
1 1/2"	70	141	46	50.5	162*115
45	74	141	48	64	162*115
48	76	141	50.5	64	162*115
2"	76	141	54	64	162*115
57	76	141	56	77.5	162*115
2 1/2"	80	141	60.5	77.5	162*115
3"	84	141	67	91	162*115
3.5"	86	141	72.5	106	162*115
4"	104	141	80	119	162*115
108	108	141	82.5	119	162*115
114	108	141	82.5	130	162*115
5"	122	153	117.5	144.5	206*122
133	122	153	117.5	155	206*122
6"	146	153	137.5	167	206*122
159	146	153	137.5	183	206*122
168.3	146	153	137.5	183	206*122
8"	166.8	153	172.5	217.4	206*122
219	166.8	153	172.5	233.5	206*122



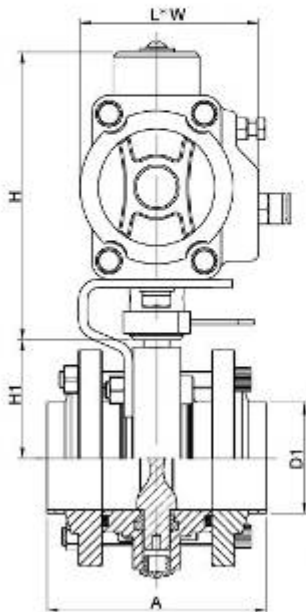
No. 12001903 electric welded butterfly valve(DIN)

SIZE	A	H	H1	D1		L' W
				1	2	
DN10	50	141	42	12	13	162*115
DN15	50	141	42	18	19	162*115
DN20	50	141	42	22	23	162*115
DN25	50	141	42	28	29	162*115
DN32	50	141	46	34	35	162*115
DN40	50	141	48	40	41	162*115
DN50	52	141	56	52	53	162*115
DN65	56	141	65	70	-	162*115
DN80	60	141	72.5	85	-	162*115
DN100	64	141	82.5	104	-	162*115
DN125	80	153	117.5	129	-	208*122
DN150	90	153	137.5	154	-	208*122
DN200	90	153	172.5	204	-	208*122



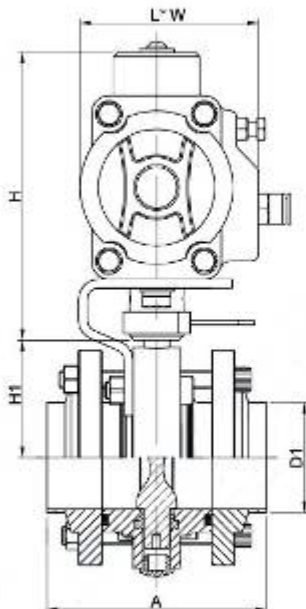
No. 12002003 electric welded butterfly valve(3A, SMS, ISO, DS)

SIZE	A	H	H1	D1	L' W
1/2"	50	141	42	12.7	162*115
3/4"	50	141	42	19	162*115
1"	50	141	42	25.4	162*115
1 1/4"	50	141	42	31.8	162*115
1 1/2"	50	141	46	38.1	162*115
45	50	141	48	45	162*115
48	52	141	50.5	48	162*115
2"	52	141	54	50.8	162*115
57	52	141	56	57	162*115
2 1/4"	56	141	60.5	63.5	162*115
3"	56	141	67	76.2	162*115
3.5"	60	141	72.5	89	162*115
4"小	64	141	80	101.6	162*115
4"大	64	141	82.5	101.6	162*115
108	64	141	82.5	108	162*115
114	64	141	82.5	114.3	162*115
5"	80	153	117.5	127	208*122
133	80	153	117.5	133	208*122
6"	90	153	137.5	152.4	208*122
159	90	153	137.5	159	208*122
168.3	90	153	137.5	168.3	208*122
8"	90	153	172.5	203.2	208*122
219	90	153	172.5	219	208*122



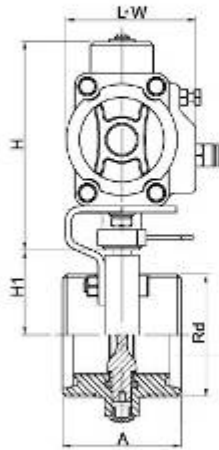
No. 12002704 pneumatic three-piece(flange) butterfly valve(DIN)

SIZE	A	H	H1	D1		L*W
				1	2	
DN10	100	117	42	12	13	140.5*70.5
DN15	100	117	42	18	19	140.5*70.5
DN20	100	117	42	22	23	140.5*70.5
DN25	100	117	42	28	29	140.5*70.5
DN32	100	117	42	34	35	140.5*70.5
DN40	100	133	48	40	41	158.5*83
DN50	104	133	54	52	53	158.5*83
DN65	112	133	65	70	-	158.5*83
DN80	120	150	70	85	-	210.5*94.5
DN100	128	150	80	104	-	210.5*94.5
DN125	160	187	117.5	129	-	247.5*106
DN150	180	187	137.5	154	-	247.5*106
DN200	180	227	172.5	204	-	315*141



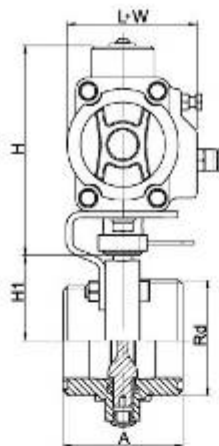
No. 12002804 pneumatic three-piece(flange) butterfly valve(3A, SMS, ISO, DS)

SIZE	A	H	H1	D1	L*W
1/2"	100	117	42	12.7	140.5*70.5
3/4"	100	117	42	19	140.5*70.5
1"	100	117	42	25.4	140.5*70.5
1 1/4"	100	117	42	31.8	140.5*70.5
1 1/2"	100	133	46	38.1	158.5*83
45	100	133	48	45	158.5*83
2"	104	133	54	50.8	158.5*83
57	104	133	54	57	158.5*83
2 1/2"	112	133	60.5	63.5	158.5*83
3"	112	150	67	76.2	210.5*94.5
3.5"	120	150	72.5	89	210.5*94.5
4"	128	150	80	101.6	210.5*94.5
106	128	150	82.5	106	210.5*94.5
114	128	150	82.5	114.3	210.5*94.5
5"	160	187	117.5	127	247.5*106.3
133	160	187	117.5	133	247.5*106.3
6"	180	187	137.5	152.4	247.5*106.3
159	180	187	137.5	159	247.5*106.3
168.3	180	187	137.5	168.3	247.5*106.3
8"	180	227	172.5	203.2	315*141
219	180	227	172.5	219	315*141



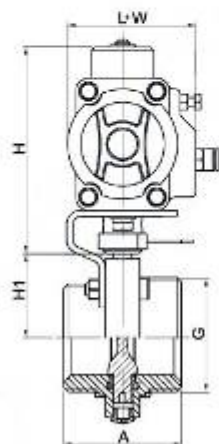
No.12000104 pneumatic threaded butterfly valve(DIN)

SIZE	A	H	H1	Rd	L' W
DN10	66	117	42	RD28 × 1/8	140.5*70.5
DN15	66	117	42	RD34 × 1/8	140.5*70.5
DN20	66	117	42	RD44 × 1/8	140.5*70.5
DN25	66	117	42	RD52 × 1/8	140.5*70.5
DN32	70	117	46	RD58 × 1/8	140.5*70.5
DN40	74	133	48	RD65 × 1/8	158.5*83
DN50	76	133	58	RD78 × 1/8	158.5*83
DN65	80	133	65	RD95 × 1/8	158.5*83
DN80	84	150	72.5	RD110 × 1/4	210.5*94.5
DN100	104	150	82.5	RD130 × 1/4	210.5*94.5
DN125	130	187	117.5	RD160 × 1/4	210.5*94.5
DN150	150	187	137.5	RD190 × 1/4	210.5*94.5



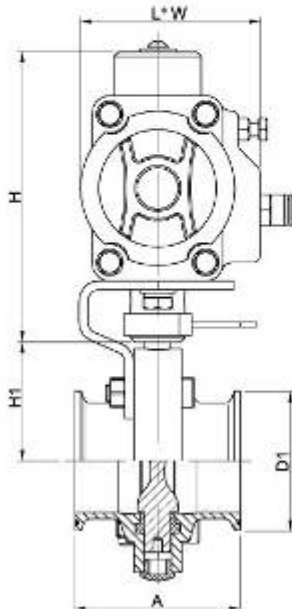
No.12000204 pneumatic threaded butterfly valve(SMS)

SIZE	A	H	H1	Rd	L' W
φ19	66	117	42	RD36 × 1/8	140.5*70.5
φ25	66	117	42	RD40 × 1/8	140.5*70.5
φ32	66	117	42	RD48 × 1/8	140.5*70.5
φ38	70	133	46	RD60 × 1/8	158.5*83
φ51	76	133	54	RD70 × 1/8	158.5*83
φ63	80	133	60.5	RD85 × 1/8	158.5*83
φ76	84	150	67	RD98 × 1/8	210.5*94.5
φ89	86	150	72.5	RD105 × 1/8	210.5*94.5
φ102小	104	150	80	RD125 × 1/4	210.5*94.5
φ102大	104	150	82.5	RD132 × 1/8	210.5*94.5



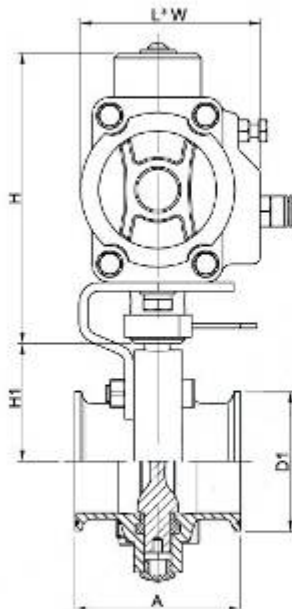
No.12000504 pneumatic threaded butterfly valve(3A)

SIZE	A	H	H1	G	L' W
1"	66	117	42	37.1 × 1/8 Acme	140.5*70.5
1 1/8"	70	117	42	45.9 × 1/8 Acme	140.5*70.5
1 1/2"	70	133	45	50.6 × 1/8 Acme	158.5*83
2"	76	133	54	64.1 × 1/8 Acme	158.5*83
2 1/2"	80	133	60.5	77.6 × 1/8 Acme	158.5*83
3"	84	150	67	91.1 × 1/8 Acme	210.5*94.5
4"	104	150	80	119.2 × 1/8 Acme	210.5*94.5



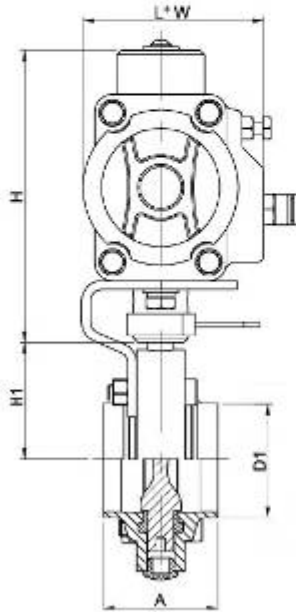
No. 12002304 pneumatic clamped butterfly valve(DIN)

SIZE	A	H	H1	D1	L*W
DN10	66	117	42	34	140.5*70.5
DN15	66	117	42	34	140.5*70.5
DN20	66	117	42	34	140.5*70.5
DN25	68	117	42	50.5	140.5*70.5
DN32	66	117	46	50.5	140.5*70.5
DN40	70	133	48	50.5	158.5*83
DN50	76	133	56	64	158.5*83
DN65	80	133	65	91	158.5*83
DN80	84	150	72.5	106	210.5*94.5
DN100	104	150	82.5	119	210.5*94.5
DN125	122	187	117.5	144.5	247.5*106.3
DN125	122	187	117.5	155	247.5*106.3
DN150	146	187	137.5	167	247.5*106.3
DN150	146	187	137.5	183	247.5*106.3
DN200	166	227	172.5	217.4	315*141
DN200	166	227	172.5	233.5	315*141



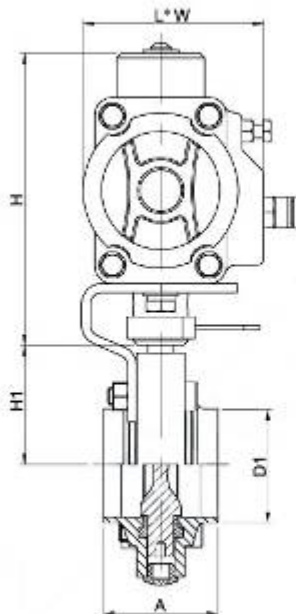
No. 12002404 pneumatic clamped butterfly valve(3A, SMS, ISO, DS)

SIZE	A	H	H1	D1	L*W
1/2"	66	117	42	25.4	140.5*70.5
3/4"	66	117	42	25.4	140.5*70.5
1"	66	117	42	50.5	140.5*70.5
1 1/4"	66	117	42	50.5	140.5*70.5
1 1/2"	70	133	46	50.5	158.5*83
45	74	133	48	64	158.5*83
48	76	133	50.5	64	158.5*83
2"	76	133	54	64	158.5*83
57	76	133	56	77.5	158.5*83
2 1/2"	80	133	60.5	77.5	158.5*83
3"	84	150	67	91	210.5*94.5
3.5"	86	150	72.5	106	210.5*94.5
4"	104	150	80	119	210.5*94.5
108	106	150	82.5	119	210.5*94.5
114	106	150	82.5	130	210.5*94.5
5"	122	187	117.5	144.5	247.5*106.3
133	122	187	117.5	155	247.5*106.3
6"	146	187	137.5	167	247.5*106.3
159	146	187	137.5	183	247.5*106.3
168.3	146	187	137.5	183	247.5*106.3
8"	166.8	227	172.5	217.4	315*141
219	166.8	227	172.5	233.5	315*141



No.12001904 pneumatic welded butterfly valve(DIN)

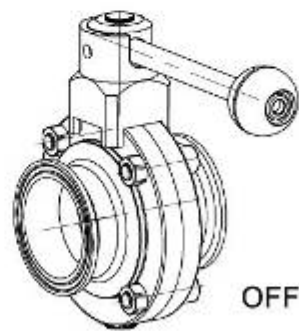
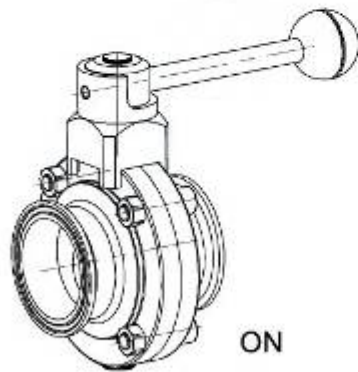
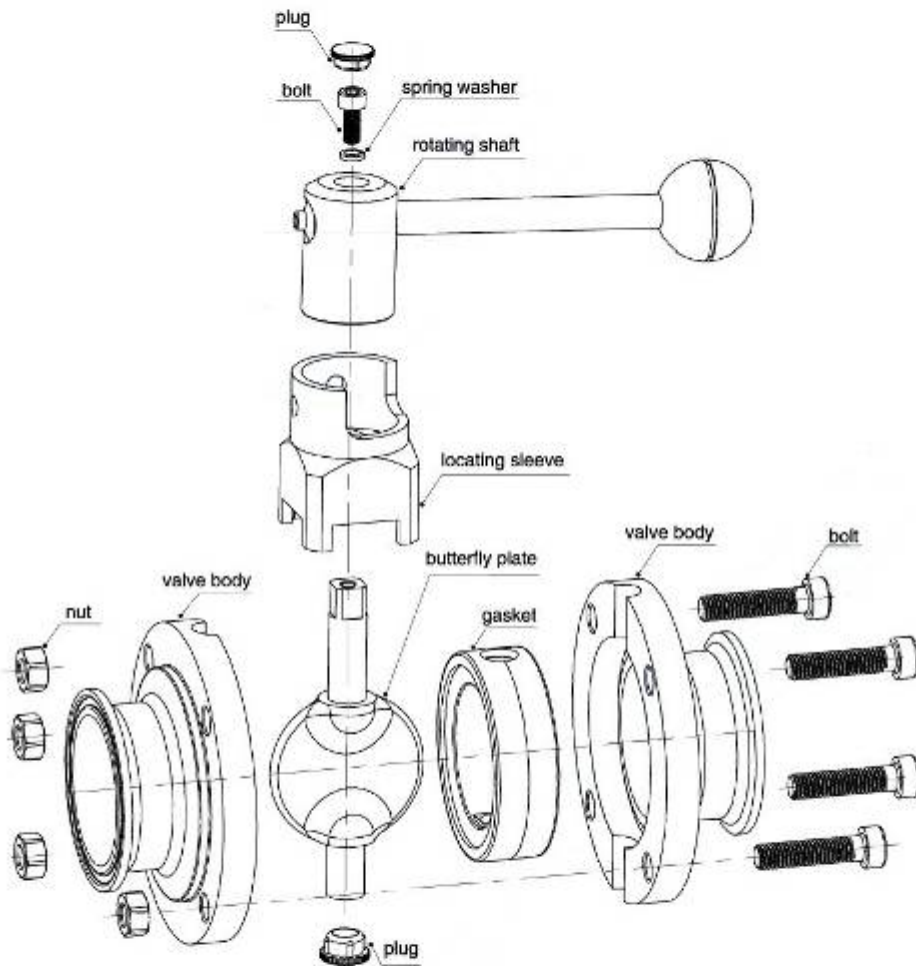
SIZE	A	H	H1	D1		L*W
				1	2	
DN10	50	117	42	12	13	140.5*70.5
DN15	50	117	42	18	19	140.5*70.5
DN20	50	117	42	22	23	140.5*70.5
DN25	50	117	42	28	29	140.5*70.5
DN32	50	117	46	34	35	140.5*70.5
DN40	50	133	48	40	41	158.5*83
DN50	52	133	56	52	53	158.5*83
DN65	56	133	66	70	-	158.5*83
DN80	60	150	72.5	85	-	210.5*94.5
DN100	64	150	82.5	104	-	210.5*94.5
DN125	80	187	117.5	129	-	247.5*106.3
DN150	90	187	137.5	154	-	247.5*106.3
DN200	90	227	172.5	204	-	315*141



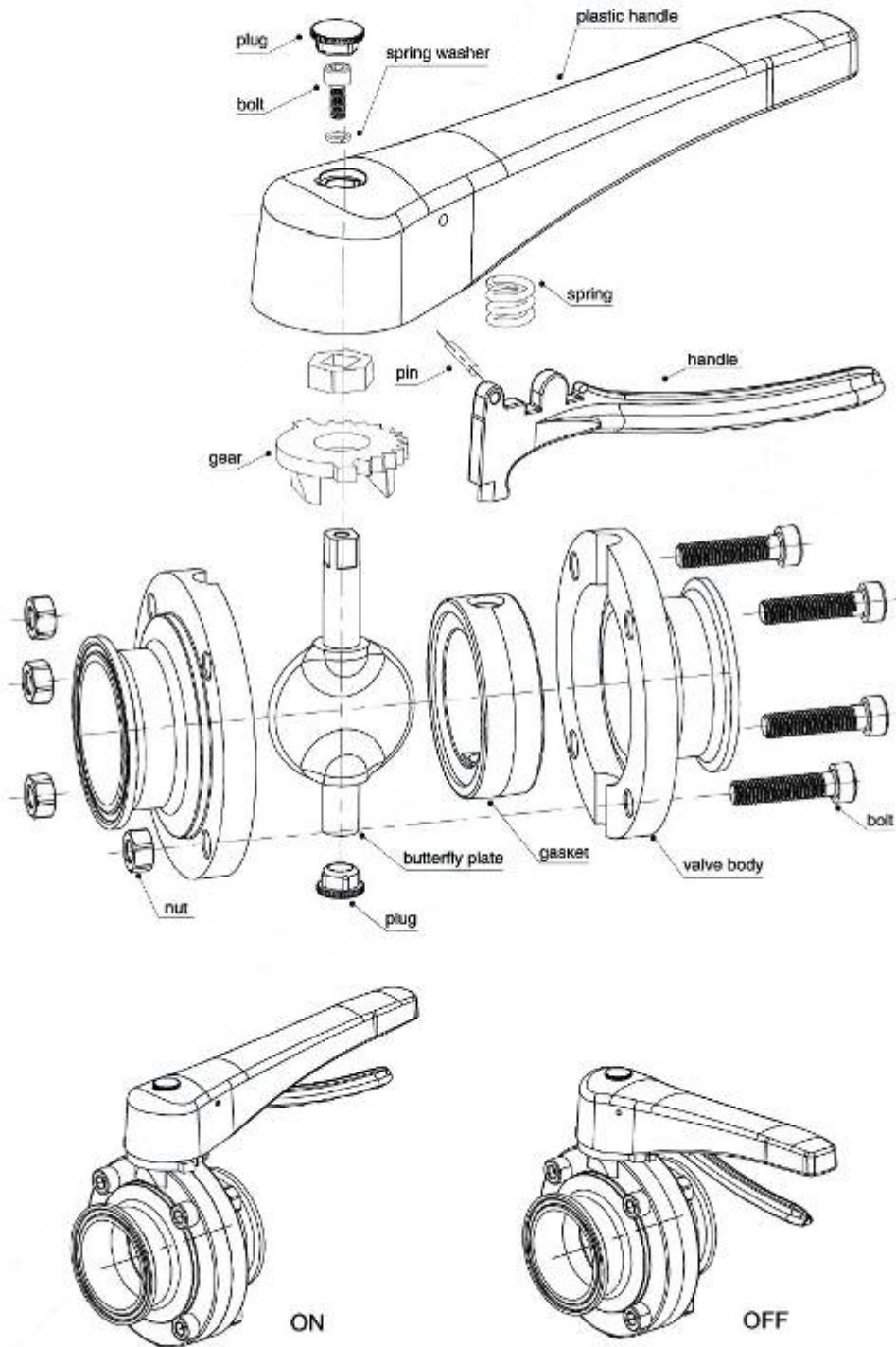
No.12002004 pneumatic welded butterfly valve(3A, SMS, ISO, DS)

SIZE	A	H	H1	D1	L*W
1/2"	50	117	42	12.7	140.5*70.5
3/4"	50	117	42	19	140.5*70.5
1"	50	117	42	25.4	140.5*70.5
1 _{1/2} "	50	117	42	31.8	140.5*70.5
1 _{1/2} "	50	133	46	38.1	158.5*83
45	50	133	48	45	158.5*83
48	52	133	50.5	48	158.5*83
2"	52	133	54	50.8	158.5*83
57	52	133	56	57	158.5*83
2 _{1/2} "	56	133	60.5	63.5	158.5*83
3"	56	150	67	76.2	210.5*94.5
3.5"	60	150	72.5	89	210.5*94.5
4"小	64	150	80	101.6	210.5*94.5
4"大	64	150	82.5	101.6	210.5*94.5
108	64	150	82.5	108	210.5*94.5
114	64	150	82.5	114.3	210.5*94.5
5"	80	187	117.5	127	247.5*106.3
133	80	187	117.5	133	247.5*106.3
6"	90	187	137.5	152.4	247.5*106.3
159	90	187	137.5	159	247.5*106.3
168.3	90	187	137.5	168.3	247.5*106.3
8"	90	227	172.5	203.2	315*141
219	90	227	172.5	219	315*141

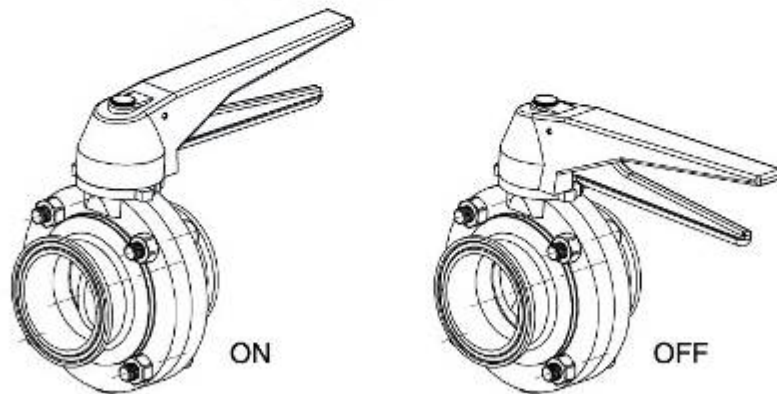
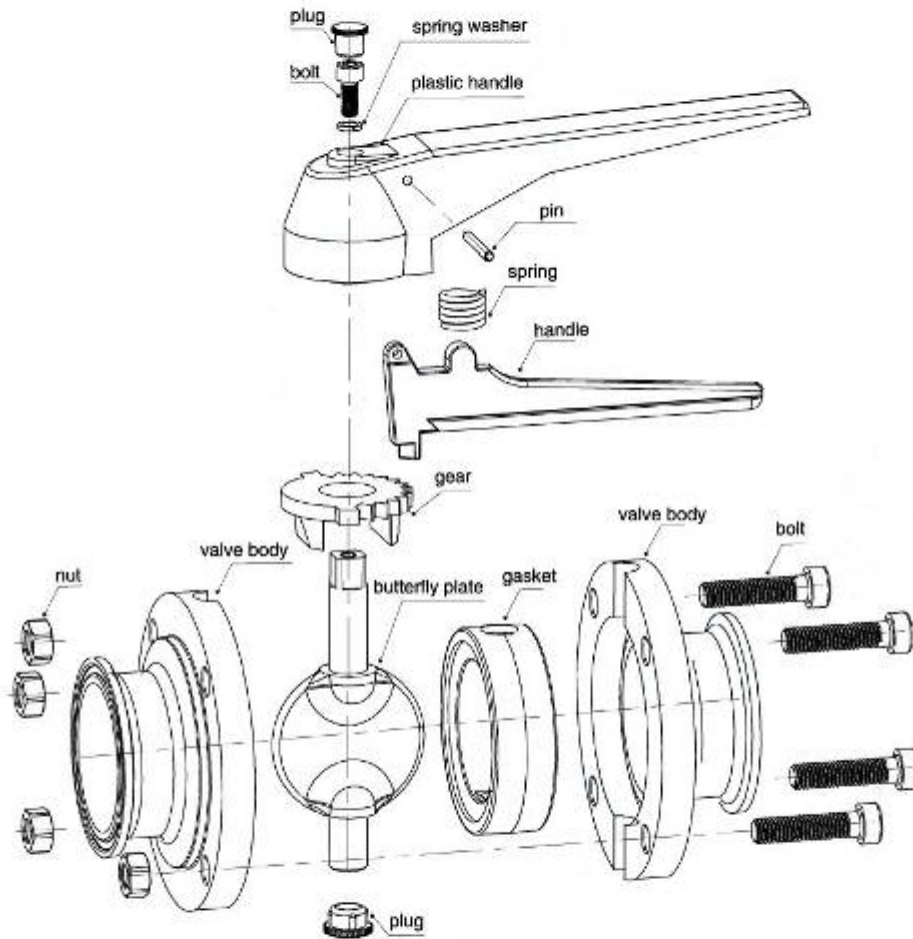
Butterfly valve with pull rod handle



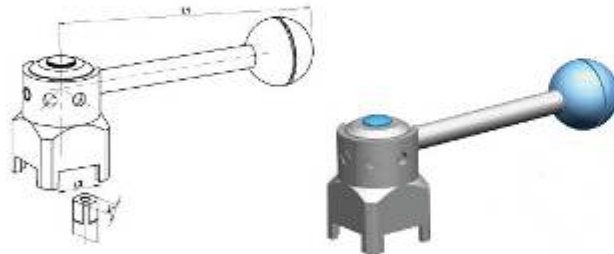
08 style of butterfly valve with multi-position handle



07 style of butterfly valve with multi-position handle

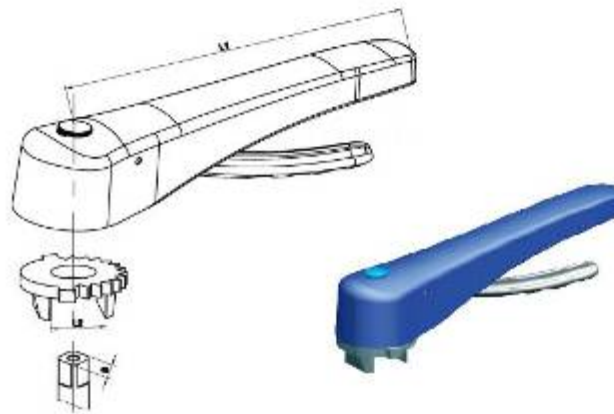


The series of butterfly valve handles are suitable for all kinds of butterfly valves



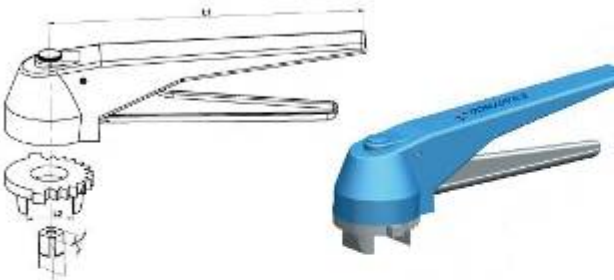
No.01 Pull handle

Size	L1	L2	K x K	
DN10-DN40	0.5"-1.5"	126	20.2	8X8
DN50	2"	133	20.2	10X10
DN65	2.5"-3"	144	22.2	10X10
DN80-DN100	3.5"-4"	160	22.2	11X11
DN125-DN150	5"-6"	220	22.2	11X11
DN200	8"	284	30.2	14X14



No.02 08 new style multi-position handle

Size	L1	L2	B	
DN10-DN40	0.5"-1.5"	164	20.2	8
DN50-DN65	2"-3"	164	20.2	10
DN80-DN100	3.5"-4"	164	22.2	11



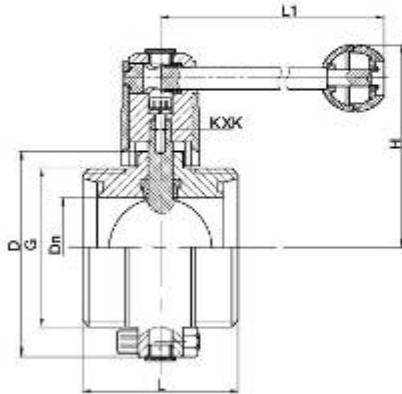
No.03 07 style multi-position handle

Size	L1	L2	K x K	
DN10-DN40	0.5"-1.5"	150	20.2	8X8
DN50-DN65	2"-3"	150	20.2	10X10
DN80-DN100	3.5"-4"	150	22.2	11X11



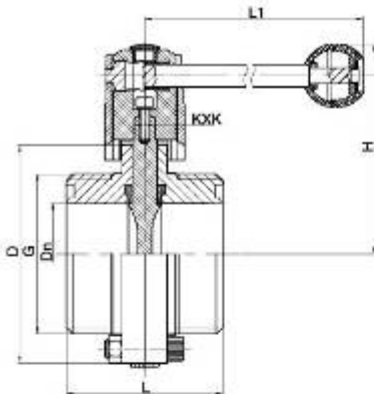
No.04 Stainless steel multi-position handle

Size	L1	L2	K x K	
DN15-DN40	0.5"-1.5"	155	20.2	8X8
DN50-DN65	2"-3"	155	20.2	10X10
DN80-DN150	3.5"-6"	155	22.2	11X11
DN200	8"	230	30.2	14X14



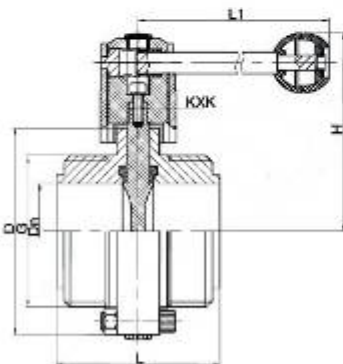
No.20001 threaded butterfly valve(DIN)

Size	DN	D	L	L1	H	G	KXK
DN10	10	78	66	126	86	RD28x1/8	8x8
DN15	15	78	66	126	86	RD34x1/8	8x8
DN20	19	78	66	126	86	RD44x1/6	8x8
DN25	25	78	66	126	86	RD52x1/6	8x8
DN32	31	86	70	126	90	RD58x1/6	8x8
DN40	37	90	74	126	92	RD65x1/6	8x8
DN50	49	106	76	133	104	RD78x1/6	10x10
DN65	66	124	80	144	113	RD96x1/6	10x10
DN80	81	139	84	160	123.5	RD110x1/4	11x11
DN100	100	159	104	160	133.5	RD130x1/4	11x11
DN125	125	185	130	220	146.5	RD160x1/4	11x11
DN150	150	215	150	220	161.5	RD190x1/4	11x11



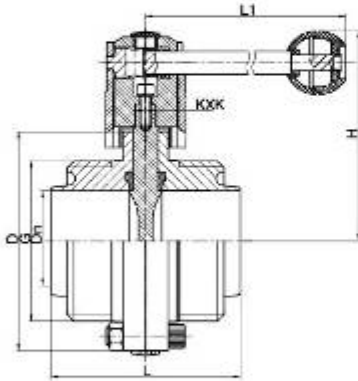
No.20002 threaded butterfly valve(SMS)

Size	DN	D	L	L1	H	G	KXK
Φ19	16	78	66	126	86	RD36x1/8	8x8
Φ25	22.4	78	66	126	86	RD40x1/6	8x8
Φ32	28.8	78	66	126	86	RD48x1/6	8x8
Φ38	35.1	86	70	126	90	RD60x1/6	8x8
Φ51	47.8	102	76	133	102	RD70x1/6	10x10
Φ63	59.5	115	80	144	109	RD85x1/6	10x10
Φ76	72.2	128	84	144	115	RD98x1/6	10x10
Φ89	85	139	86	160	123.5	RD105x1/6	11x11
Φ102 小	97.6	154	104	160	131	RD125x1/4	11x11
Φ102 大	97.6	159	104	160	133.5	RD132x1/6	11x11



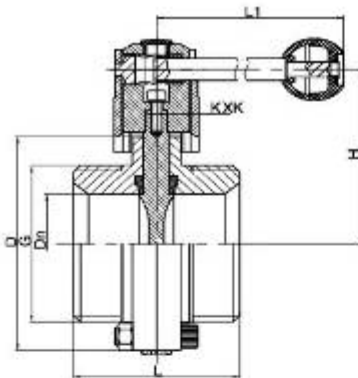
No.20003 threaded butterfly valve(ISO/IDF)

Size	DN	D	L	L1	H	G	KXK
1"	22.4	78	72	126	86	37.1x1/8Acme	8x8
1 1/2"	35.1	86	76	126	90	50.6x1/8Acme	8x8
2"	47.8	102	82	133	102	64.1x1/8Acme	10x10
2 1/2"	59.5	115	86	144	109	77.6x1/8Acme	10x10
3"	72.2	128	90	144	115	91.1x1/8Acme	10x10
4"(ISO)	97.6	154	110	160	131	118.2x1/8Acme	11x11
4"(IDF)	97.6	154	110	160	131	125.9x1/8Acme	11x11



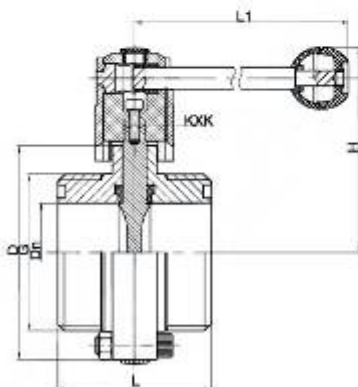
No.20004 threaded butterfly valve(RJT)

Size	DN	D	L	L1	H	G	KXK
1"	22.2	78	80	126	86	45.7x1/8TWHIT	8x8
1 1/2"	34.9	86	80	126	90	58.4x1/8TWHIT	8x8
2"	47.6	102	84	133	102	72.7x1/6TWHIT	10x10
2 1/2"	60.3	115	84	144	109	85.4x1/6TWHIT	10x10
3"	73.0	128	84	144	115	98.1x1/6TWHIT	10x10
4"	97.5	154	104	160	131	123.8x1/6TWHIT	11x11
6"	148	215	150	220	161.5	174.3x1/6TWHIT	11x11



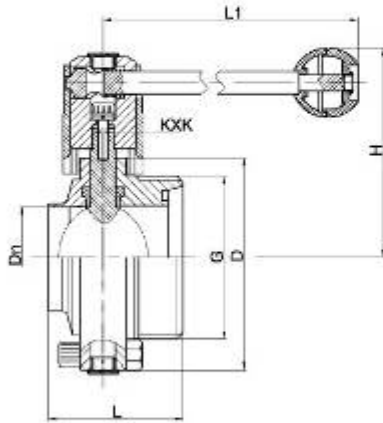
No.20005 threaded butterfly valve(3A)

Size	DN	D	L	L1	H	G	KXK
1"	22.1	78	66	126	86	37.1x1/8Acme	8x8
1 1/4"	28.8	78	70	126	86	45.9x1/8Acme	8x8
1 1/2"	34.8	86	70	126	90	50.6x1/8Acme	8x8
2"	47.5	102	76	133	102	64.1x1/8Acme	10x10
2 1/2"	60.2	115	80	144	109	77.6x1/8Acme	10x10
3"	72.9	128	84	144	115	91.1x1/8Acme	10x10
4"	97.4	154	104	160	131	119.2x1/6Acme	11x11



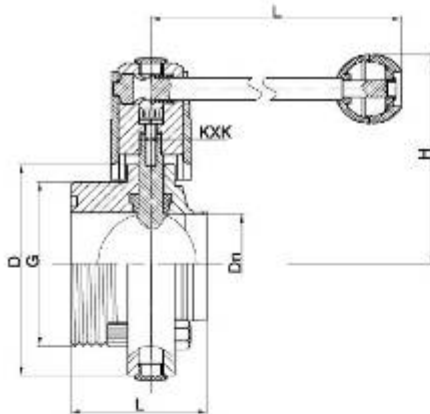
No.20006 threaded butterfly valve(DS)

Size	DN	D	L	L1	H	G	KXK
1"	22.4	78	66	126	86	RD44x1/6	8x8
1 1/4"	28.8	78	66	126	86	RD52x1/6	8x8
1 1/2"	35.1	86	70	126	90	RD58x1/6	8x8
2"	47.8	102	76	133	102	RD72x1/6	10x10
2 1/2"	59.5	115	80	144	109	RD88x1/6	10x10
3"	72.2	128	84	144	115	RD100x1/6	10x10
4"	97.6	154	104	160	131	RD130x1/4	11x11



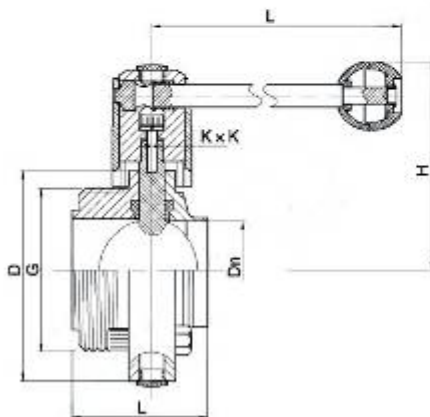
No.20007 Single threaded single welded butterfly valve(DIN)

Size	DN	D	L	L1	H	G	KXK
DN10	10	78	58	126	96	RD28x1/8	8x8
DN15	15	78	58	126	96	RD34x1/8	8x8
DN20	19	78	58	126	96	RD44x1/8	8x8
DN25	25	78	58	126	96	RD52x1/6	8x8
DN32	31	86	60	128	90	RD58x1/6	8x8
DN40	37	90	62	126	92	RD65x1/6	8x8
DN50	49	106	64	133	104	RD78x1/6	10x10
DN65	66	124	68	144	113	RD95x1/6	10x10
DN80	81	139	72	160	123.5	RD110x1/4	11x11
DN100	100	159	84	160	133.5	RD130x1/4	11x11
DN125	125	185	105	220	146.5	RD160x1/4	11x11
DN150	150	215	120	220	161.5	RD190x1/4	11x11



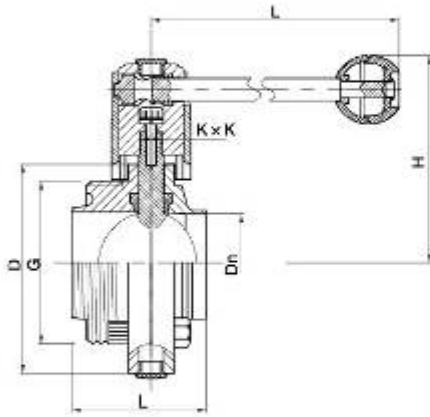
No.20008 Single threaded single welded butterfly valve(SMS)

Size	DN	D	L	L1	H	G	KXK
Φ19	16	78	58	126	96	RD36x1/8	8x8
Φ25	22.4	78	58	126	96	RD40x1/6	8x8
Φ32	28.8	78	58	126	96	RD48x1/6	8x8
Φ38	35.1	86	60	126	90	RD60x1/6	8x8
Φ51	47.8	102	64	133	102	RD70x1/6	10x10
Φ63	59.5	115	68	144	109	RD85x1/6	10x10
Φ76	72.2	128	70	144	115	RD98x1/6	10x10
Φ89	85	139	73	160	123.5	RD105x1/6	11x11
Φ102 小	97.6	154	84	160	131	RD125x1/4	11x11
Φ102 大	97.6	159	84	160	133.5	RD132x1/6	11x11



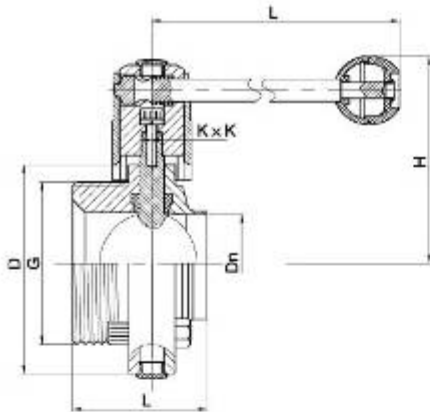
No.20009 Single threaded single welded butterfly valve(ISO/IDF)

Size	DN	D	L	L1	H	G	KXK
1"	22.4	78	61	126	96	37.1x1/8Acme	8x8
1 1/2"	35.1	86	63	126	90	50.6x1/8Acme	8x8
2"	47.8	102	67	133	102	64.1x1/8Acme	10x10
2 1/2"	59.5	115	71	144	109	77.6x1/8Acme	10x10
3"	72.2	128	73	144	115	91.1x1/8Acme	10x10
4"(ISO)	97.6	154	87	160	131	118.2x1/8Acme	11x11
4"(IDF)	97.6	154	87	160	131	125.9x1/8Acme	11x11



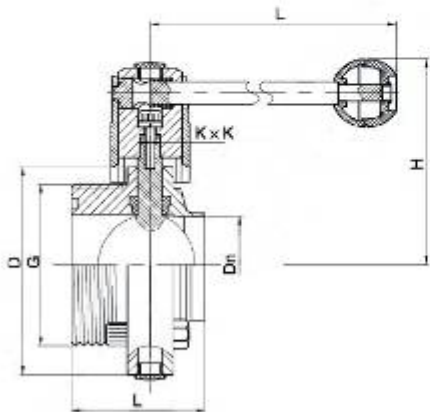
No.20010 Single threaded single welded butterfly valve(RJT)

Size	DN	D	L	L1	H	G	KXK
1"	22.2	78	65	126	86	45.7x1/8TWHIT	8x8
1 1/2"	34.9	86	65	126	90	58.4x1/8TWHIT	8x8
2"	47.6	102	68	133	102	72.7x1/6TWHIT	10x10
2 1/2"	60.3	115	70	144	109	85.4x1/6TWHIT	10x10
3"	73.0	128	70	144	115	98.1x1/6TWHIT	10x10
4"	97.5	154	84	160	131	123.8x1/6TWHIT	11x11
6"	148	215	120	220	161.5	174.3x1/6TWHIT	11x11



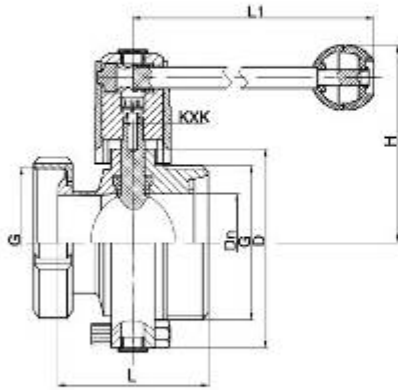
No.20011 Single threaded single welded butterfly valve(3A)

Size	DN	D	L	L1	H	G	KXK
1"	22.1	78	58	126	86	37.1x1/8Acme	8x8
1 1/4"	28.8	78	60	126	86	45.9x1/8Acme	8x8
1 1/2"	34.8	86	60	126	90	50.6x1/8Acme	8x8
2"	47.5	102	64	133	102	64.1x1/8Acme	10x10
2 1/2"	60.2	115	68	144	109	77.6x1/8Acme	10x10
3"	72.9	128	70	144	115	91.1x1/8Acme	10x10
4"	97.4	154	84	160	131	119.2x1/8Acme	11x11



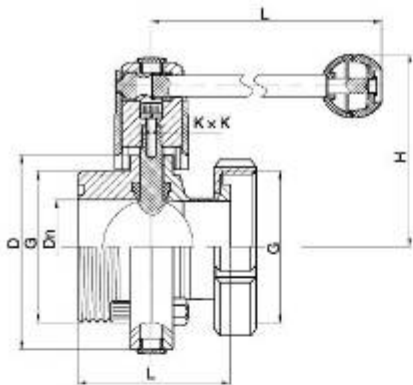
No.20012 Single threaded single welded butterfly valve(DS)

Size	DN	D	L	L1	H	G	KXK
1"	22.4	78	58	126	86	RD44x1/6	8x8
1 1/4"	28.8	78	58	126	86	RD52x1/6	8x8
1 1/2"	35.1	86	60	126	90	RD58x1/6	8x8
2"	47.8	102	64	133	102	RD72x1/6	10x10
2 1/2"	59.5	115	68	144	109	RD88x1/6	10x10
3"	72.2	128	70	144	115	RD100x1/6	10x10
4"	97.6	154	84	160	131	RD130x1/4	11x11



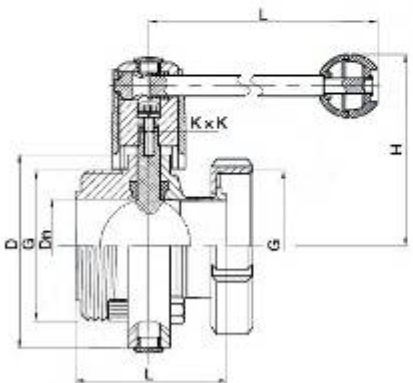
No.20013 Single threaded single nut butterfly valve(DIN)

Size	DN	D	L	L1	H	G	KXX
DN10	10	78	75	126	86	RD28x1/8	8x8
DN15	15	78	75	126	86	RD34x1/8	8x8
DN20	19	78	76	126	86	RD44x1/6	8x8
DN25	25	78	80	126	86	RD52x1/6	8x8
DN32	31	86	85	126	90	RD58x1/6	8x8
DN40	37	90	88	126	92	RD65x1/6	8x8
DN50	49	106	92	133	104	RD78x1/6	10x10
DN65	66	124	100	144	113	RD95x1/6	10x10
DN80	81	139	109	160	123.5	RD110x1/4	11x11
DN100	100	159	128	160	133.5	RD130x1/4	11x11
DN125	125	185	139	220	146.5	RD160x1/4	11x11
DN150	150	215	157	220	161.5	RD190x1/4	11x11



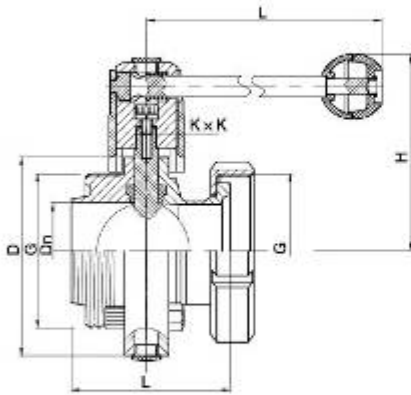
No.20014 Single threaded single nut butterfly valve(SMS)

Size	DN	D	L	L1	H	G	KXX
Φ19	16	78	70	126	86	RD36x1/8	8x8
Φ25	22.4	78	73	126	86	RD40x1/6	8x8
Φ32	28.8	78	78	126	86	RD48x1/6	8x8
Φ38	35.1	86	80	126	90	RD60x1/6	8x8
Φ51	47.8	102	84	133	102	RD70x1/6	10x10
Φ63	59.5	115	89	144	109	RD85x1/6	10x10
Φ76	72.2	128	91	144	115	RD98x1/6	10x10
Φ89	85	139	94	160	123.5	RD105x1/6	11x11
Φ102 小	97.6	154	105	160	131	RD125x1/4	11x11
Φ102 大	97.6	159	105	160	133.5	RD132x1/6	11x11



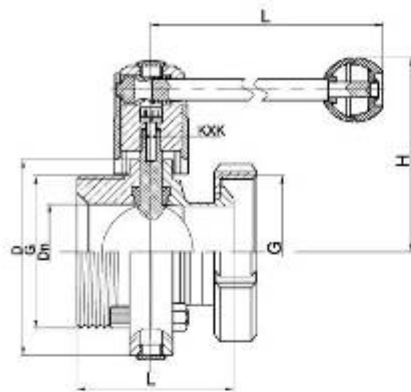
No.20015 Single threaded single nut butterfly valve(ISO/IDF)

Size	DN	D	L	L1	H	G	KXX
1"	22.4	78	82.5	126	86	37.1x1/8Acme	8x8
1 1/2"	35.1	86	84.5	126	90	50.6x1/8Acme	8x8
2"	47.8	102	88.5	133	102	64.1x1/8Acme	10x10
2 1/2"	59.5	115	92.5	144	109	77.6x1/8Acme	10x10
3"	72.2	128	94.5	144	115	91.1x1/8Acme	10x10
4"(ISO)	97.6	154	108.5	160	131	118.2x1/8Acme	11x11
4"(IDF)	97.6	154	117	160	131	125.9x1/8Acme	11x11



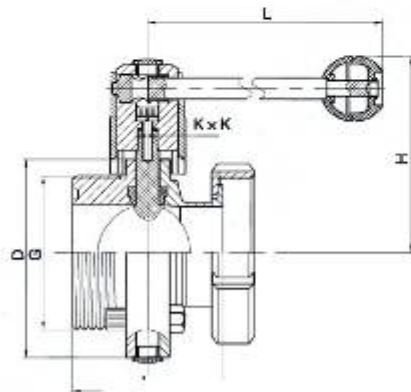
No.20016 Single threaded single nut butterfly valve(RJT)

Size	DN	D	L	L1	H	G	KXK
1"	22.2	78	77.7	126	86	45.7x1/8TWHIT	8x8
1 1/4"	34.9	86	77.7	126	90	58.4x1/8TWHIT	8x8
2"	47.6	102	80.7	133	102	72.7x1/6TWHIT	10x10
2 1/2"	60.3	115	82.7	144	109	85.4x1/6TWHIT	10x10
3"	73.0	128	82.7	144	115	98.1x1/6TWHIT	10x10
4"	97.5	154	109.4	160	131	123.8x1/6TWHIT	11x11
6"	148	215	143.5	220	161.5	174.3x1/6TWHIT	11x11



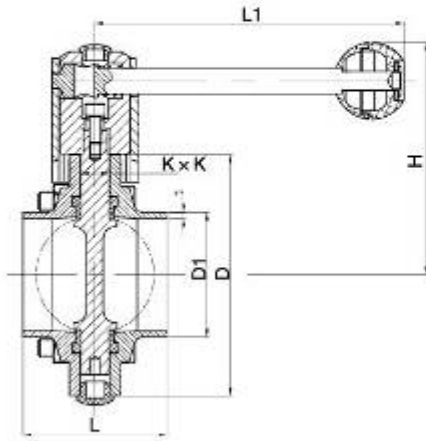
No.20017 Single threaded single nut butterfly valve(3A)

Size	DN	D	L	L1	H	G	KXK
1"	22.1	78	92.9	126	86	37.1x1/8Acme	8x8
1 1/4"	28.8	78	94.9	126	86	45.9x1/8Acme	8x8
1 1/2"	34.8	86	98.1	126	90	50.6x1/8Acme	8x8
2"	47.5	102	102.1	133	102	64.1x1/8Acme	10x10
2 1/2"	60.2	115	112.5	144	109	77.6x1/8Acme	10x10
3"	72.9	128	114.5	144	115	91.1x1/8Acme	10x10
4"	97.4	154	128.5	160	131	119.2x1/8Acme	11x11



No.20018 Single threaded single nut butterfly valve(DS)

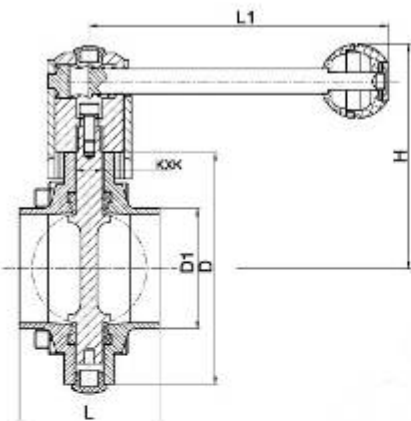
Size	DN	D	L	L1	H	G	KXK
1"	22.4	78	74	126	86	RD44x1/6	8x8
1 1/4"	28.8	78	74	126	86	RD52x1/6	8x8
1 1/2"	35.1	86	78	126	90	RD58x1/6	8x8
2"	47.8	102	84	133	102	RD72x1/6	10x10
2 1/2"	59.5	115	90	144	109	RD88x1/6	10x10
3"	72.2	128	94	144	115	RD100x1/6	10x10
4"	97.6	154	114	160	131	RD130x1/4	11x11



No.20019

Welded butterfly valve(DIN)

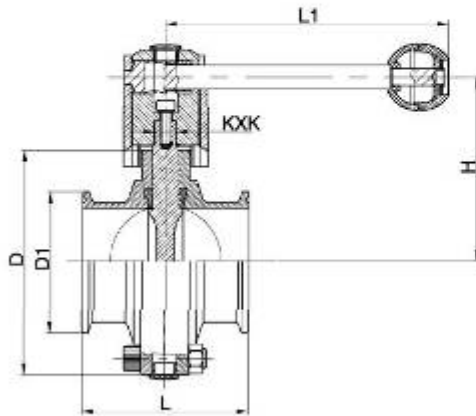
Size	D1		D	L	L1	H	T	KXK
	1	2						
DN10	12	13	78	50	126	86	1.5	8x8
DN15	18	19	78	50	126	86	1.5	8x8
DN20	22	23	78	50	126	86	1.5	8x8
DN25	28	29	78	50	126	86	1.5	8x8
DN32	34	35	86	50	126	90	1.5	8x8
DN40	40	41	90	50	126	92	1.5	8x8
DN50	52	53	106	52	133	104	1.5	10x10
DN65	70	-	124	56	144	113	2.0	10x10
DN80	85	-	139	60	160	123.5	2.0	11x11
DN100	104	-	159	64	160	133.5	2.0	11x11
DN125	129	-	185	80	220	146.5	2.0	11x11
DN150	154	-	215	90	220	161.5	2.0	11x11
DN200	204	-	285	90	284	199	2.0	14x14



Welded butterfly valve(3A, SMS, ISO, DS)

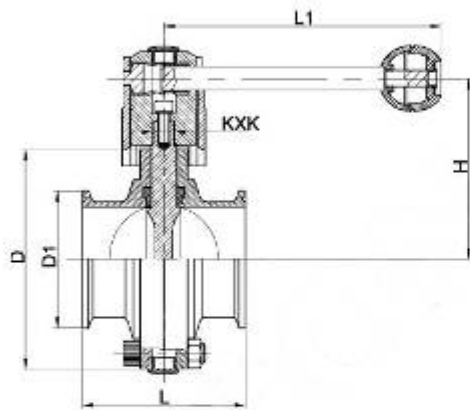
Size	D1	D	L	L1	H	KXK
1/2"	12.7	78	50	126	86	8x8
3/4"	19	78	50	126	86	8x8
1"	25.4	78	50	126	86	8x8
1 1/4"	31.8	78	50	126	86	8x8
1 1/2"	38.1	86	50	126	90	8x8
45	45	90	50	126	92	8x8
48	48	95	52	126	95	8x8
2"	50.8	102	52	133	102	10x10
57	57	106	52	144	104	10x10
2 1/2"	63.5	115	56	144	109	10x10
3"	76.2	128	56	144	115	10x10
3.5"	89	139	60	144	123.5	11x11
4" 小	102	154	64	144	131	11x11
4" 大	102	159	64	160	133.5	11x11
108	108	159	64	160	133.5	11x11
114	114.3	185	80	160	133.5	11x11
5"	127	185	80	220	146.5	11x11
133	133	215	80	220	146.5	11x11
6"	152.4	215	90	220	161.5	11x11
159	159	215	90	220	161.5	11x11
168.3	168.3	215	90	220	161.5	11x11
8"	203.2	285	90	284	199	14x14
219	219	285	90	284	199	14x14

No.20023 Clamped butterfly valve(DIN)

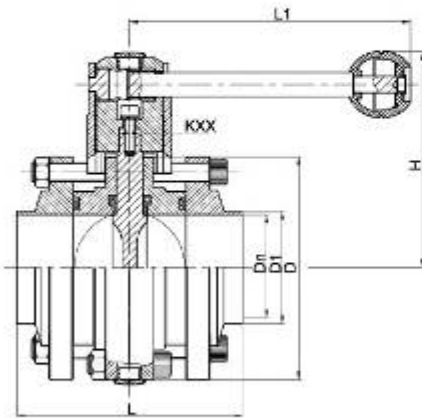


Size	D1	D	L	L1	H	KXK
DN10	34	78	66	126	86	8x8
DN15	34	78	66	126	86	8x8
DN20	34	78	66	126	86	8x8
DN25	50.5	78	66	126	86	8x8
DN32	50.5	78	66	126	86	8x8
DN40	50.5	86	70	126	90	8x8
DN50	64	102	76	133	102	10x10
DN65	91	120	80	144	111	10x10
DN80	106	134	84	160	121	11x11
DN100	119	154	104	160	131	11x11
DN125	144.5	185	122	220	146.5	11x11
DN125	155	185	122	220	146.5	11x11
DN150	167	215	146	220	161.5	11x11
DN150	183	215	146	220	161.5	11x11
DN200	217.4	285	166	284	199	14x14
DN200	233.5	285	166	284	199	14x14

No.20024 Clamped butterfly valve(3A, SMS, ISO, DS)



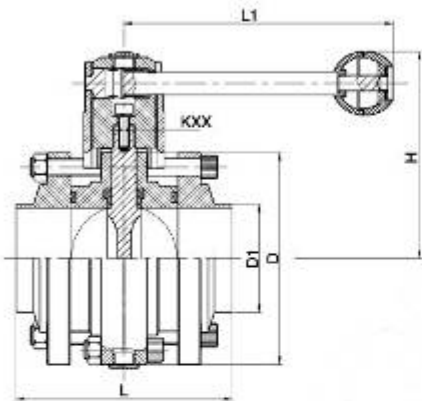
Size	D1	D	L	L1	H	KXK
1/2"	25.4	78	66	126	86	8x8
3/4"	25.4	78	66	126	86	8x8
1"	50.5	78	66	126	86	8x8
1 1/4"	50.5	78	66	126	86	8x8
1 1/2"	50.5	86	70	126	90	8x8
45	64	90	74	126	92	8x8
48	64	95	76	126	95	8x8
2"	64	102	76	133	102	10x10
57	77.5	106	76	144	104	10x10
2 1/2"	77.5	115	80	144	109	10x10
3"	91	128	84	144	115	10x10
3.5"	106	139	86	144	123.5	11x11
4"	119	154	104	144	131	11x11
108	119	159	106	160	133.5	11x11
114	130	159	106	160	133.5	11x11
5"	144.5	185	122	220	146.5	11x11
133	155	185	122	220	146.5	11x11
6"	167	215	146	220	161.5	11x11
159	183	215	146	220	161.5	11x11
168.3	183	215	146	220	161.5	11x11
8"	217.4	285	166.8	284	199	14x14
219	233.5	285	166.8	284	199	14x14



No.20027

Three-piece butterfly valve(DIN)

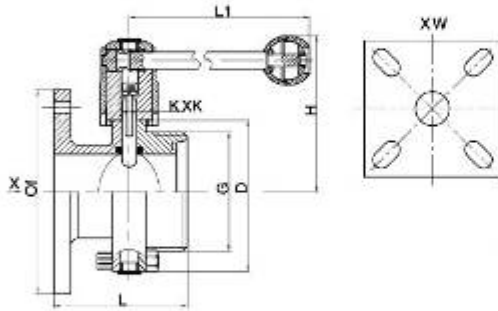
SIZE	D1		D	L	L1	H	t	KXX
	1	2						
DN10	12	13	78	100	126	86	1.5	8X8
DN15	18	19	78	100	126	86	1.5	8X8
DN20	22	23	78	100	126	86	1.5	8X8
DN25	28	29	78	100	126	86	1.5	8X8
DN32	34	35	78	100	126	86	1.5	8X8
DN40	40	41	90	100	126	92	1.5	8X8
DN50	52	53	102	104	133	102	1.5	10X10
DN65	70	-	120	112	144	111	2.0	10X10
DN80	85	-	134	120	160	121	2.0	11X11
DN100	104	-	154	128	160	131	2.0	11X11
DN125	129	-	185	160	220	146.5	2.0	11X11
DN150	154	-	215	180	220	161.5	2.0	11X11
DN200	204	-	285	180	284	199	2.0	14X14



No.20028

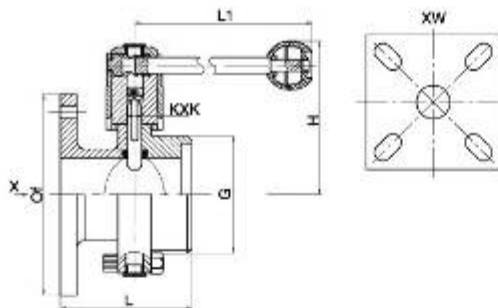
Three-piece butterfly valve(3A, SMS, ISO, DS)

SIZE	D1	D	L	L1	H	KXX
1/2"	12.7	78	100	126	86	8X8
3/4"	19	78	100	126	86	8X8
1"	25.4	78	100	126	86	8X8
1 1/4"	31.8	78	100	126	86	8X8
1 1/2"	38.1	86	100	126	90	8X8
45	45	90	100	126	92	8X8
2"	50.8	102	104	133	102	10X10
57	57	102	104	144	104	10X10
2 1/2"	63.5	115	112	144	109	10X10
3"	76.2	128	112	144	115	10X10
3.5"	89	139	120	144	123.5	11X11
4"	101.6	154	128	144	131	11X11
108	108	159	128	160	133.5	11X11
114	114.3	159	128	160	133.5	11X11
5"	127	185	160	220	146.5	11X11
133	133	185	160	220	146.5	11X11
6"	152.4	215	180	220	161.5	11X11
159	159	215	180	220	161.5	11X11
168.3	168.3	215	180	220	161.5	11X11
8"	203.2	285	180	284	199	14X14
219	219	285	180	284	199	14X14



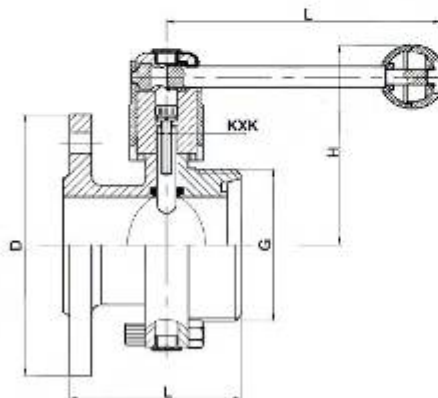
No.20032 Single square flange single threaded butterfly valve(DIN)

SIZE	D	Of	L	L1	H	KXK	G
DN15	78	100X100	68	126	86	8X8	RD34X1/8
DN20	78	100X100	68	126	86	8X8	RD44X1/6
DN25	78	100X100	68	126	86	8X8	RD52X1/6
DN32	86	100X100	70	126	90	8X8	RD56X1/6
DN40	90	100X100	72	126	92	8X8	RD65X1/6
DN50	106	100X100	74	133	104	10X10	RD78X1/6
DN65	124	120X120	80	144	113	10X10	RD95X1/6
DN80	139	140X140	85	160	123.5	11X11	RD110X1/4
DN100	159	140X140	96	160	133.5	11X11	RD130X1/4



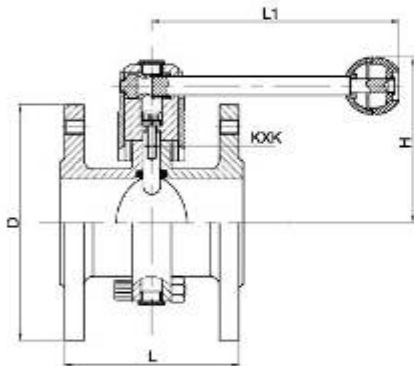
No.20035 Single square flange single threaded butterfly valve(FIL)

SIZE	Of	L	L1	H	KXK	G
DN40	100X100	69	126	92	8X8	55X3
DN50	100X100	69	133	104	10X10	67X3
DN65	120X120	71	144	113	10X10	90X3.5
DN80	140X140	88	160	123.5	11X11	104X4
DN100	140X140	94	160	133.5	11X11	125X4



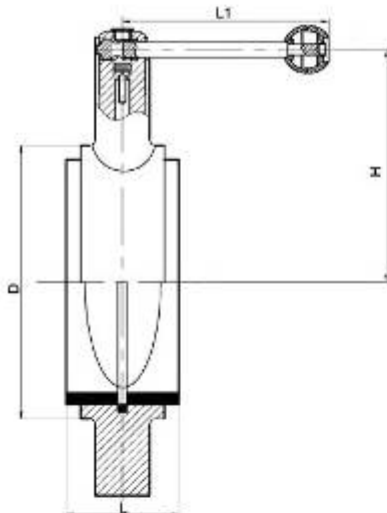
No.20034 Single round flange single threaded butterfly valve(DIN)

SIZE	D	G(Rd)	L	L1	H	KXK
DN25	115	RD52X1/6	80	126	80	8X8
DN32	135	RD56X1/6	86	126	80	8X8
DN40	145	RD65X1/6	92	126	86	8X8
DN50	160	RD78X1/6	94	133	106	10X10
DN65	180	RD95X1/6	104	144	115	10X10
DN80	195	RD110X1/4	110	160	122	11X11
DN100	215	RD130X1/4	130	160	132	11X11
DN125	245	RD160X1/4	154	220	147	11X11
DN150	280	RD190X1/4	174	220	162	11X11



No.20031 Two side flange butterfly valve

SIZE	D	L	L1	H	KXK
DN25	115	94	126	80	8X8
DN32	135	102	126	80	8X8
DN40	145	110	126	86	8X8
DN50	160	112	133	106	10X10
DN65	180	124	144	115	10X10
DN80	195	130	160	122	11X11
DN100	215	152	160	132	11X11
DN125	245	178	220	147	11X11
DN150	280	196	220	162	11X11



No.20033 D71 wafer butterfly valve

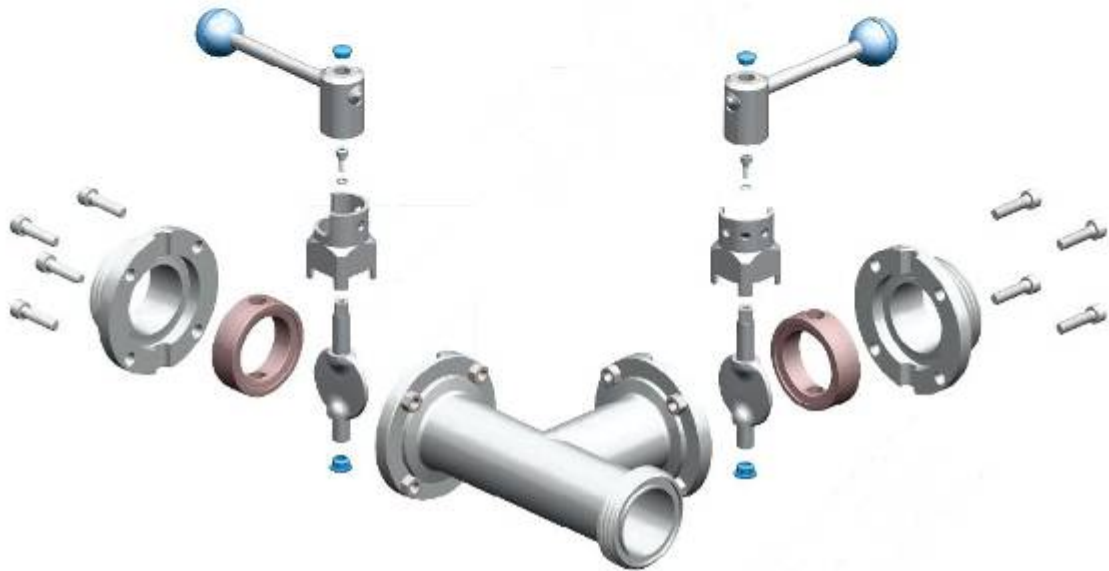
SIZE	D	L	L1	H
DN40	85	38	124	122
DN50	95	39	130	127
DN65	107	42	130	133
DN80	125	43	140	142
DN100	156	46	158	158
DN125	180	55	220	160
DN150	205	55	220	170
DN200	250	60	280	210

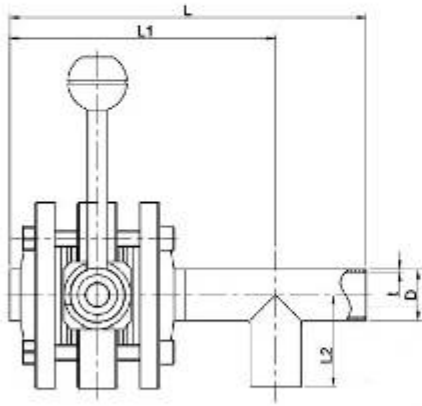


The butterfly valve is wafer butterfly valve, that is to say, it just can be clamped by two pieces of flanges. Operators can choose any flanges with different pressure.

The way of drive: manually, pneumatically, electrically
 Sealing material: EPDM, FPM, SILICON

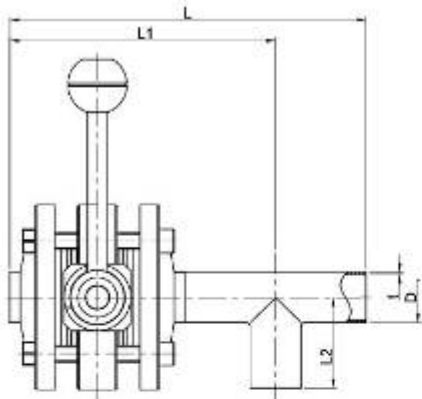
Three-way butterfly valve





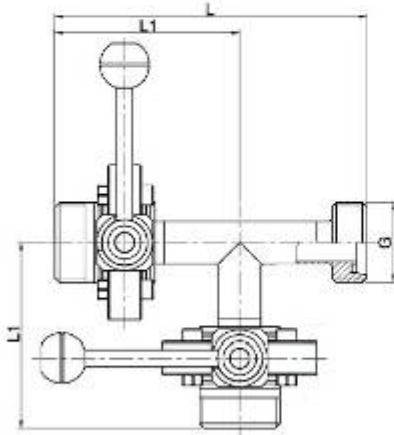
No.20041 三通蝶阀(DIN)
 Three-way butterfly valve(DIN)

SIZE	D		L	L1	L2	t
	1	2				
DN10	12	13	152	126	26	1.5
DN15	18	19	170	135	35	1.5
DN20	22	23	180	140	40	1.5
DN25	28	29	200	150	50	1.5
DN32	34	35	210	155	55	1.5
DN40	40	41	220	160	60	1.5
DN50	52	53	244	174	70	1.5
DN65	70	-	272	192	80	2.0
DN80	85	-	300	210	90	2.0
DN100	104	-	328	228	100	2.0
DN125	129	-	534	347	187	2.0
DN150	154	-	630	405	225	2.0



No.20042 三通蝶阀(3A, SMS, ISO, DS)
 Three-way butterfly valve(3A, SMS, ISO, DS)

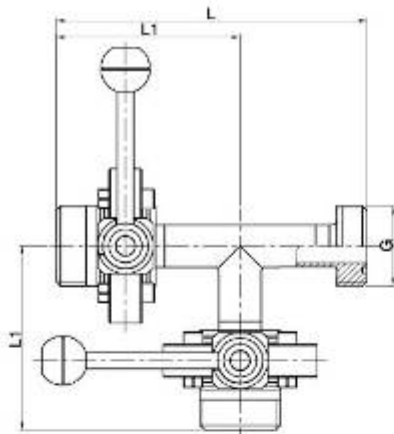
SIZE	D	L	L1	L2	t
1/2"	12.7	176	138	38	1.65
3/4"	19	176	138	38	1.65
1"	25.4	195.2	147.6	47.6	1.65
1 1/4"	31.8	210	155	55	1.65
1 1/2"	38.1	214.4	157.2	57.2	1.65
2"	50.8	256.4	180.2	76.2	1.65
2 1/2"	63.5	264.4	188.2	76.2	1.65
3"	76.2	277.2	194.6	82.6	1.65
4"	101.6	324.8	226.4	96.4	2.1
6"	152.4	434	307	127	2.8
8"	203.2	630	405	225	2.8



No.20043

Three-way butterfly valve(DIN)

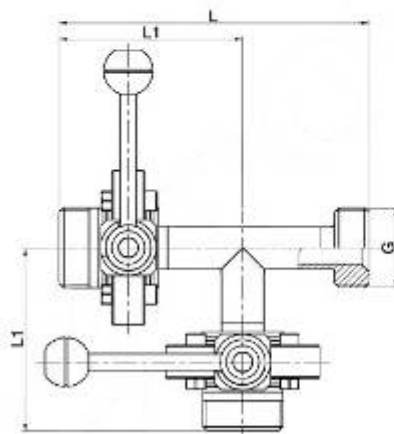
SIZE	G(Rd)	L	L1
DN10	28X1/8	131	84
DN15	34X1/8	145	93
DN20	44X1/6	157	98
DN25	52X1/6	178	108
DN32	58X1/6	190	115
DN40	65X1/6	202	122
DN50	78X1/6	225	134
DN65	95X1/6	251	148
DN80	110X1/4	277	162
DN100	130X1/4	312	184
DN125	160X1/4	509	292
DN150	190X1/4	605	345



No.20044

Three-way butterfly valve(SMS)

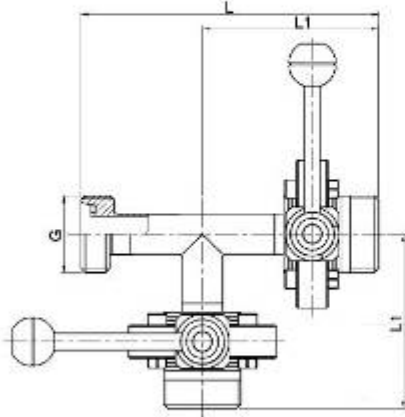
SIZE	G(Rd)	L	L1
3/4"	36X1/8	134	86.5
1"	40X1/6	187	113
1 1/4"	48X1/6	198	119
1 1/2"	60X1/6	220	130
2"	70X1/6	248	146
2 1/2"	85X1/6	302	173
3"	98X1/6	315	180
3 1/2"	105X1/6	306	176.5
4"小	125X1/4	411	234
4"大	132X1/6	411	234



No.20045

Three-way butterfly valve(3A)

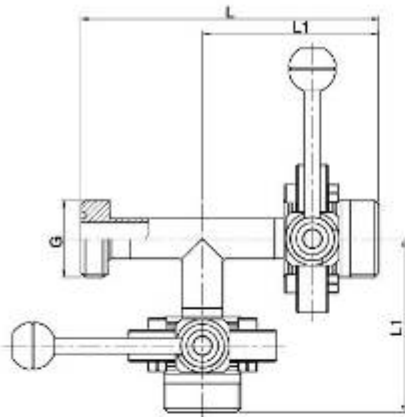
SIZE	G	L	L1
1"	37.1 x 1/8 Acme	171.5	105.6
1 1/4"	45.9 x 1/8 Acme	188.3	115
1 1/2"	50.6 x 1/8 Acme	192.7	117.2
2"	64.1 x 1/8 Acme	235.5	140.2
2 1/2"	77.6 x 1/8 Acme	242.7	144.2
3"	91.1 x 1/8 Acme	258.3	152.6
4"	119.2 x 1/8 Acme	307	182.4



No.20046

Three-way butterfly valve(DIN)

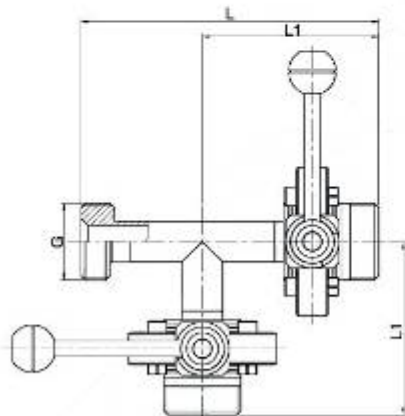
SIZE	G(Rd)	L	L1
DN10	28X1/8	131	84
DN15	34X1/8	145	93
DN20	44X1/8	157	98
DN25	52X1/8	178	108
DN32	58X1/8	190	115
DN40	65X1/8	202	122
DN50	78X1/8	225	134
DN65	95X1/8	251	148
DN80	110X1/4	277	162
DN100	130X1/4	312	184
DN125	160X1/4	509	292
DN150	190X1/4	605	345



No.20047

Three-way butterfly valve(SMS)

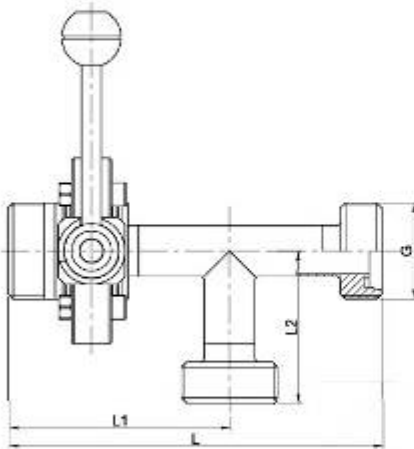
SIZE	G(Rd)	L	L1
3/4"	38X1/8	134	86.5
1"	40X1/8	187	113
1 1/4"	48X1/8	198	119
1 1/2"	60X1/8	220	130
2"	70X1/8	248	146
2 1/2"	85X1/8	302	173
3"	98X1/8	315	180
3 1/2"	105X1/8	306	176.5
4"小	125X1/4	411	234
4"大	132X1/8	411	234



No.20048

Three-way butterfly valve(3A)

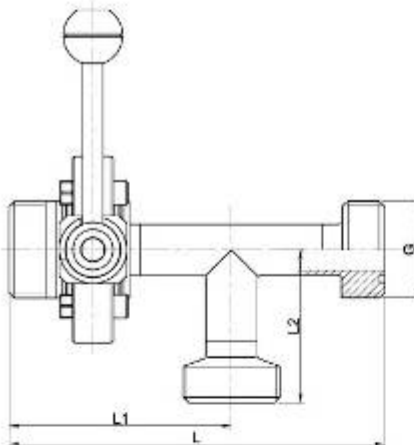
SIZE	G	L	L1
1"	37.1 x 1/8 Acme	171.5	106.6
1 1/4"	45.9 x 1/8 Acme	188.3	115
1 1/2"	50.6 x 1/8 Acme	192.7	117.2
2"	64.1 x 1/8 Acme	235.5	140.2
2 1/2"	77.6 x 1/8 Acme	242.7	144.2
3"	91.1 x 1/8 Acme	258.3	152.6
4"	119.2 x 1/8 Acme	307	182.4



No.20049

Three-way butterfly valve(DIN)

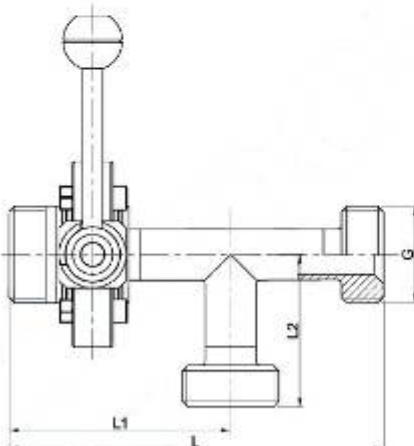
SIZE	G(Rd)	L	L1	L2
DN10	28X1/8	131	84	47
DN15	34X1/8	145	93	52
DN20	44X1/8	157	98	59
DN25	52X1/8	178	108	70
DN32	58X1/8	190	115	75
DN40	65X1/8	202	122	80
DN50	76X1/8	225	134	91
DN65	95X1/8	251	148	103
DN80	110X1/4	277	162	115
DN100	130X1/4	312	184	128
DN125	160X1/4	509	292	217
DN150	190X1/4	605	345	260



No.20050

Three-way butterfly valve(SMS)

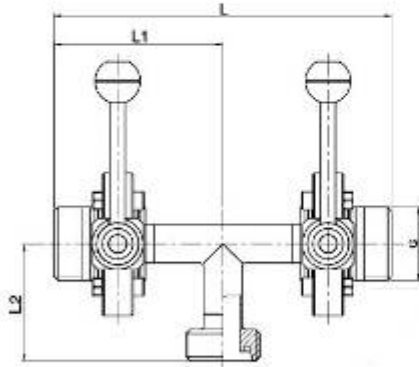
SIZE	G(Rd)	L	L1	L2
3/4"	36X1/8	134	86.5	47.5
1"	40X1/8	187	113	74
1 _{1/4} "	48X1/8	198	119	79
1 _{1/2} "	60X1/8	220	130	90
2"	70X1/8	248	146	102
2 _{1/2} "	85X1/8	302	173	129
3"	98X1/8	315	180	135
3 _{1/2} "	105X1/8	306	176.5	129.5
4"小	125X1/4	411	234	177
4"大	132X1/8	411	234	177



No.20051

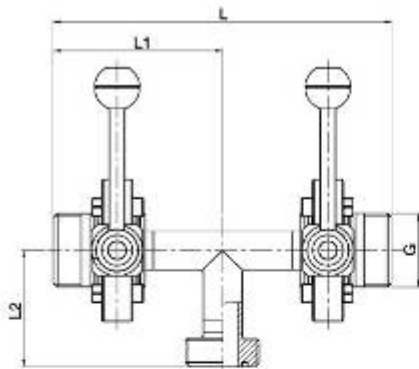
Three-way butterfly valve(3A)

SIZE	G	L	L1	L2
1"	37.1 x 1/8 Acme	171.5	105.6	65.9
1 _{1/4} "	45.9 x 1/8 Acme	188.3	115	73.3
1 _{1/2} "	50.6 x 1/8 Acme	192.7	117.2	75.5
2"	64.1 x 1/8 Acme	235.5	140.2	95.3
2 _{1/2} "	77.6 x 1/8 Acme	242.7	144.2	96.5
3"	91.1 x 1/8 Acme	258.3	152.6	105.7
4"	119.2 x 1/8 Acme	307	182.4	124.6



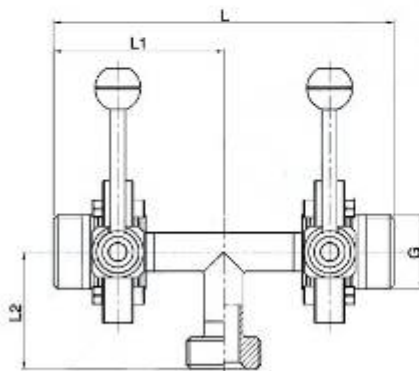
No.20052 Three-way butterfly valve(DIN)

SIZE	G(Rd)	L	L1	L2
DN10	28X1/8	168	84	47
DN15	34X1/8	186	93	52
DN20	44X1/6	196	98	59
DN25	52X1/6	216	108	70
DN32	58X1/6	230	115	75
DN40	65X1/6	244	122	80
DN50	76X1/6	268	134	91
DN65	95X1/6	296	146	103
DN80	110X1/4	324	162	115
DN100	130X1/4	368	184	128
DN125	160X1/4	584	292	217
DN150	190X1/4	690	345	260



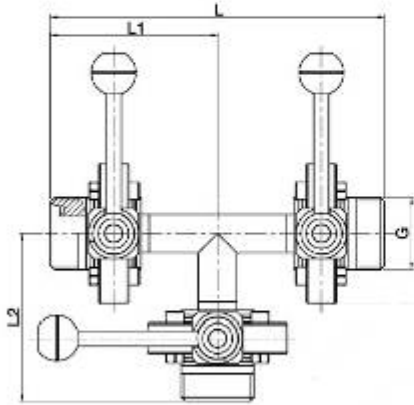
No.20053 Three-way butterfly valve(SMS)

SIZE	G(Rd)	L	L1	L2
3/4"	36X1/8	173	86.5	47.5
1"	40X1/6	226	113	74
1 _{1/4} "	48X1/6	238	119	79
1 _{1/2} "	60X1/6	260	130	90
2"	70X1/6	292	146	102
2 _{1/2} "	85X1/6	346	173	129
3"	98X1/6	360	180	135
3 _{1/2} "	105X1/6	353	176.5	129.5
4"小	125X1/4	468	234	177
4"大	132X1/6	468	234	177



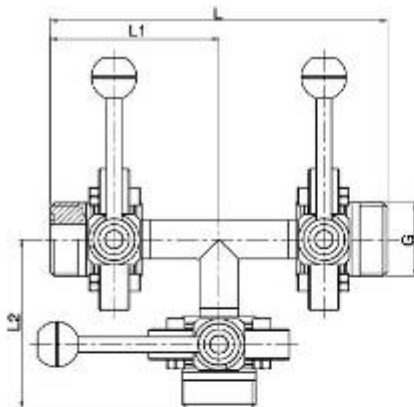
No.20054 Three-way butterfly valve(3A)

SIZE	G	L	L1	L2
1"	37.1 x 1/8 Acme	211.2	105.6	65.9
1 _{1/4} "	45.9 x 1/8 Acme	230	115	73.3
1 _{1/2} "	50.6 x 1/8 Acme	234.4	117.2	75.5
2"	64.1 x 1/8 Acme	280.4	140.2	95.3
2 _{1/2} "	77.6 x 1/8 Acme	288.4	144.2	98.5
3"	91.1 x 1/8 Acme	305.2	152.6	105.7
4"	119.2 x 1/8 Acme	364.8	182.4	124.6



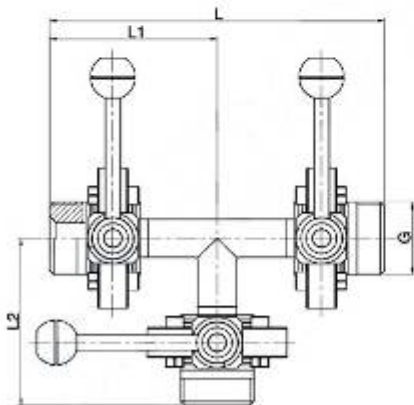
No.20055 Three-way butterfly valve(DIN)

SIZE	G(Rd)	L	L1	L2
DN10	28X1/8	168	84	84
DN15	34X1/8	186	93	93
DN20	44X1/8	196	98	98
DN25	52X1/8	216	108	108
DN32	58X1/8	230	115	115
DN40	65X1/8	244	122	122
DN50	78X1/8	268	134	134
DN65	95X1/8	296	148	148
DN80	110X1/4	324	162	162
DN100	130X1/4	368	184	184
DN125	160X1/4	584	292	292
DN150	190X1/4	690	345	345



No.20056 Three-way butterfly valve(SMS)

SIZE	G(Rd)	L	L1	L2
3/4"	36X1/8	173	86.5	86.5
1"	40X1/8	226	113	113
1 1/4"	48X1/8	238	119	119
1 1/2"	60X1/8	260	130	130
2"	70X1/8	292	146	146
2 1/2"	85X1/8	346	173	173
3"	98X1/8	360	180	180
3 1/2"	105X1/8	353	176.5	176.5
4"小	125X1/4	468	234	234
4"大	132X1/8	468	234	234



No.20057 Three-way butterfly valve(3A)

SIZE	G	L	L1	L2
1"	37.1 x 1/8 Acme	211.2	105.6	105.6
1 1/4"	45.9 x 1/8 Acme	230	115	115
1 1/2"	50.6 x 1/8 Acme	234.4	117.2	117.2
2"	64.1 x 1/8 Acme	280.4	140.2	140.2
2 1/2"	77.6 x 1/8 Acme	288.4	144.2	144.2
3"	91.1 x 1/8 Acme	305.2	152.6	152.6
4"	119.2 x 1/8 Acme	364.8	182.4	182.4



Donjoy have following butterfly valve series:

Donnection: threaded,clamped,welded,flanged,three pieces,welded/threaded,threaded/nut,square flanged type

Standard: DIN SMS ISO IDF RJT FIL DS 3A

Operating mode:

pulling handle, plastic multi-position handle,stainless steel multi-position handle,can install proximity switch on handle,vertical stainless steel pneumatic actuator,horizontal pneumatic actuator,electric actuator,can install C-TOP & proximity switch on the actuator

SIZE 1/2"-10"至DN10-DN250